

2012 CALIFORNIA INVITATIONAL TOURNAMENT JANUARY 20-21, 2012



MVP LOWER WEIGHT

JAVIER GASCA
132 Lbs. - Kingsburg
5 - FALLS & 1 - MAJOR

MVP UPPER WEIGHT

ISIAIH MARTINEZ
152 Lbs. - Lemoore
5 - FALLS & 1 - TECH FALL

Placers

106 LBS.

1st	GAMBLE, MATT (1)	Monache
2nd	VELAQUEZ, MARCOS (2)	Foothill
3rd	MORA, AARON (4)	Firebaugh
4th	ROSAS, AJ (3)	Reedley
5th	CISTERNA , JASON	Frontier
6th	KETZEL, B	Canyon
7th	ARMIJO, ETIENNE	Centennial
8th	PEREZ, FERNANDO	Foothill B

113 LBS.

1st	MCKEE, A.J. (8)	LONG BEACH POLY
2nd	OCONNER, RYAN (7)	Brea Olinda
3rd	WILLIAMS , SEAN (1)	Lemoore
4th	HOOD, SETH (6)	Monache
5th	ARROYO, JOSE (3)	Coalinga
6th	SUMMERS, SEAN (5)	Saint Francis
7th	ASBURY, A	Christian Brothers
8th	OROSCO, ALEX (4)	Edison

120 LBS.

1st	PANDURO, ADRIAN (1)	Corcoran
2nd	NADER, M (3)	Canyon
3rd	MARIN, OSCAR (2)	Bakersfield
4th	WEIR, MATT (4)	Atascadero
5th	VILLAFLO, JOSH (7)	Franklin
6th	FERRER, JOEY (8)	Washington Union
7th	POE, RYAN	Monache
8th	ROZO , BRYAN	Arroyo Grande

126 LBS.

1st	NUNEZ, J (2)	Canyon
2nd	OZUNA , IZIAHA (4)	Frontier
3rd	MURPHY, SHANE (8)	Simi Valley
4th	SAAVEDRA, WILLYAM (6)	Foothill
5th	GUTIERREZ , KEVIN (5)	Millikan
6th	DATO, JOHN (7)	Pioneer Valley
7th	CLEMMENSEN, JACKO (3)	Atascadero
8th	OZIMA, NICK	Brea Olinda

132 LBS.

1st	GASCA, JAVIER (1)	KINGSBURG
2nd	CAMPBELL, BRANDON (2)	Simi Valley
3rd	HALTERMAN, ABE (3)	Atascadero
4th	APREZA, MARVIN	Arroyo Grande
5th	MARTIN, BRYCE (8)	Bakersfield
6th	WILLISON, COLE	Brea Olinda
7th	COTTER, DJ (6)	Stockdale
8th	HINOJOSA, ABRAHAM (5)	Foothill

138 LBS.

1st	COLLISTER, J	Canyon
2nd	CHEN, ROBBIE (1)	Los Gatos
3rd	TIRADO, JACOB	KINGSBURG
4th	APPLEBY, CODY (5)	Pioneer Valley
5th	HERNANDEZ, RICHARD	Washington Union
6th	RODRIGUEZ , CHRISTIAN	Reedley
7th	RYDER, RYAN	Centennial B
8th	SANTOS, D	Atascadero

145 LBS.

1st	QUINTERO, LUIS (6)	King City
2nd	OSUNDE , OSUMYUIMEN (4)	Lemoore
3rd	DUCHENE, SAM (2)	Simi Valley
4th	ROBLES, ABEL (8)	San Leandro
5th	MININNI, D (1)	Morro Bay
6th	FIERRO, AJ (7)	Bakersfield
7th	CORONA, OSCAR	Foothill
8th	TORO, JAMES	WEST - BAKERSFIELD

152 LBS.

1st	MARTINEZ , ISIAAH (1)	Lemoore
2nd	BARAJAS, JORGE (2)	Saint Francis
3rd	GASVODA, RYAN (4)	Los Gatos
4th	MIDDLEBROOKS, MICHAEL	LONG BEACH POLY
5th	BRADDOCK, AUSTIN	Simi Valley B
6th	WINDES, DARRIN (5)	Brea Olinda
7th	CASTILLO, JACOB	Brea Olinda B
8th	DELEON, C	Morro Bay

160 LBS.

1st	HOPKINS, SAM (1)	Saint Francis
2nd	TERRONES, JOSUE (2)	Washington Union
3rd	LUNA, CESAR (3)	WEST - BAKERSFIELD
4th	BEECHAM, K (6)	Morro Bay
5th	MARTINEZ, JAIME (4)	Lemoore
6th	BREWER, KENNY	Millikan
7th	WORTH, ANDREW (7)	Stockdale
8th	OUT - HARROUN, DILLON (8)	Tehachapi

170 LBS.

1st	BANKS, JOEY (2)	Franklin
2nd	AHMED, ALI (4)	HIGHLAND
3rd	ASHJIAN, CAZ	Bullard
4th	RODAS, JACOB	Santa Maria
5th	WILSON, ELIJAH (3)	LONG BEACH POLY
6th	ESTRADA, NED	South Pasadena
7th	HOLMES, RYAN	Stockdale
8th	LARA , ANTHONY (6)	Mclane

182 LBS.

1st	TENORIO, MICHAEL (1)	Firebaugh
2nd	GONZALEZ, GABRIEL (2)	Washington Union
3rd	KRIEGER, RANDALL (7)	San Leandro
4th	BROWN, GRANT	Brea Olinda B
5th	VIZCAYA, JOSH	Brea Olinda
6th	MUTT, MATT (5)	Oxnard
7th	ROBINSON, ALEX (4)	Los Gatos
8th	CARANZA, ENRIQUE (6)	Corcoran

195 LBS.

1st	GOCKEL-FIGGE, WILLIAM (2)	Simi Valley
2nd	LOPEZ , NATE (1)	Lemoore
3rd	RUIZ, ROY (3)	Pioneer Valley
4th	CERVANTES, BRIAN (4)	Firebaugh
5th	HERRING, JKELL (6)	Independence
6th	BITTLE, ANDREW (5)	Atascadero
7th	WILLIS, CAMERON	Liberty Bakersfield
8th	AREVALO, GIOVANNI	Franklin

220 LBS.

1st	DEHHAGHI, JON (1)	Calabasas
2nd	OCSNER, LEE (2)	LONG BEACH POLY
3rd	SANCHEZ, ANDREW (5)	Golden West
4th	MORALES, MIKE	Sanger
5th	RUIZ, MIGUEL (6)	Pioneer Valley
6th	OUT - RAY, LANDON	SANTIAGO (CORONA)
7th	JUAREZ, JOSEPH (4)	HIGHLAND
8th	SWAINSTON, NATHAN	Liberty Bakersfield

285 LBS.

1st	CRAWFORD, CARSON (2)	Centennial
2nd	OUT - JUAREZ, NARCISO (1)	Sanger
3rd	KIMBALL, BRETT	nipomo
4th	POPEK , JOHN (3)	Frontier
5th	SUNDA, A (5)	Canyon
6th	ROA , JOHNATHAN (7)	Lemoore
7th	COX, JAMES (8)	Millikan
8th	HECHT, TYLER	Franklin

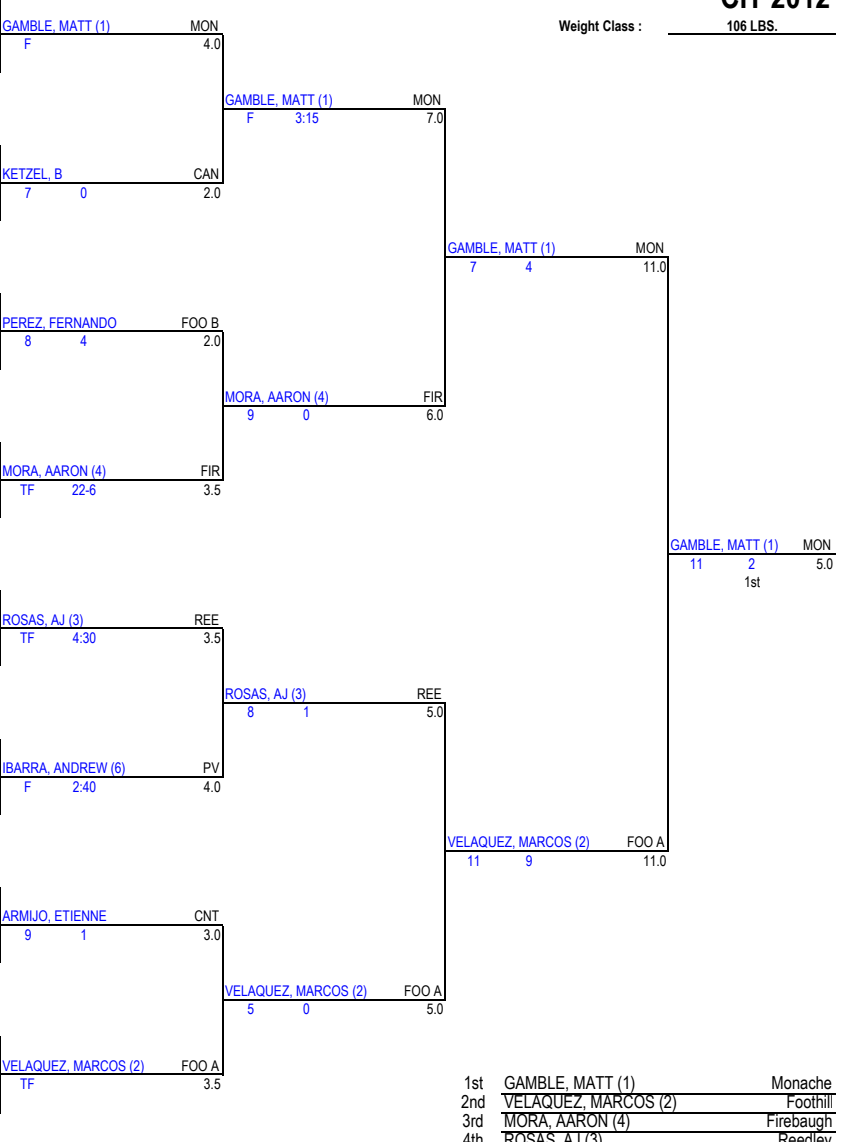
Team Score - Final

		P
1	Lemoore	193.0 6
2	Simi Valley	139.0 4
3	Brea Olinda	135.5 5
4	Washington Union	126.0 4
5	Saint Francis	125.5 3
6	Canyon	124.5 5
7	Pioneer Valley	121.5 4
8	Firebaugh	121.0 3
9	Atascadero	119.0 5
10	LONG BEACH POLY	118.0 4
11	Frontier	110.0 3
12	Sanger	108.0 2
13	Corcoran	106.5 3
14	Foothill	102.5 4
15	Bakersfield	92.0 3
16	Franklin	89.5 4
17	Millikan	85.5 3
18	Los Gatos	85.0 3
19	KINGSBURG	83.5 2
20	Morro Bay	80.0 3
21	Bullard	68.5 1
22	nipomo	65.5 1
23	Corcoran	64.5 2
24	Centennial	63.5 2
25	Reedley	62.5 2
26	Stockdale	61.0 3
27	Edison	57.5 1
	WEST - BAKERSFIELD	57.5 2
29	Golden West	54.0 1
30	San Leandro	53.0 2
31	King City	50.5 1
32	SANTIAGO (CORONA)	46.0 1
	Arroyo Grande	46.0 2
	HIGHLAND	46.0 2
35	Oxnard	43.0 1
36	South Pasadena	42.0 1
	Santa Maria	42.0 1
	Independence	42.0 1
39	Brea Olinda B	41.0 2
40	Liberty Bakersfield	38.0 2
41	Calabasas	37.0 1
42	El Diamante	36.0 0
43	Caruthers	34.0 0
44	Coalinga	33.0 1
45	Centennial B	31.0 1
46	Mclane	29.0 1
	Mendota	29.0 0
48	East Bakersfield	27.0 0
49	Lemoore B	25.0 0
50	Christian Brothers	24.5 1
51	St Joseph	24.0 0
	Tehachapi	24.0 1
53	Fowler	23.0 0
	Cesar E. Chavez	23.0 0
55	GOLDEN VALLEY	22.0 0
	Simi Valley B	22.0 1
57	Foothill B	19.0 1
58	Cabrillo	18.0 0
59	Saint Francis - B	16.0 0
60	Mariposa County	15.0 0
61	SLO	14.0 0
62	Frontier B	12.5 0
63	lompoc	12.0 0

CIT 2012

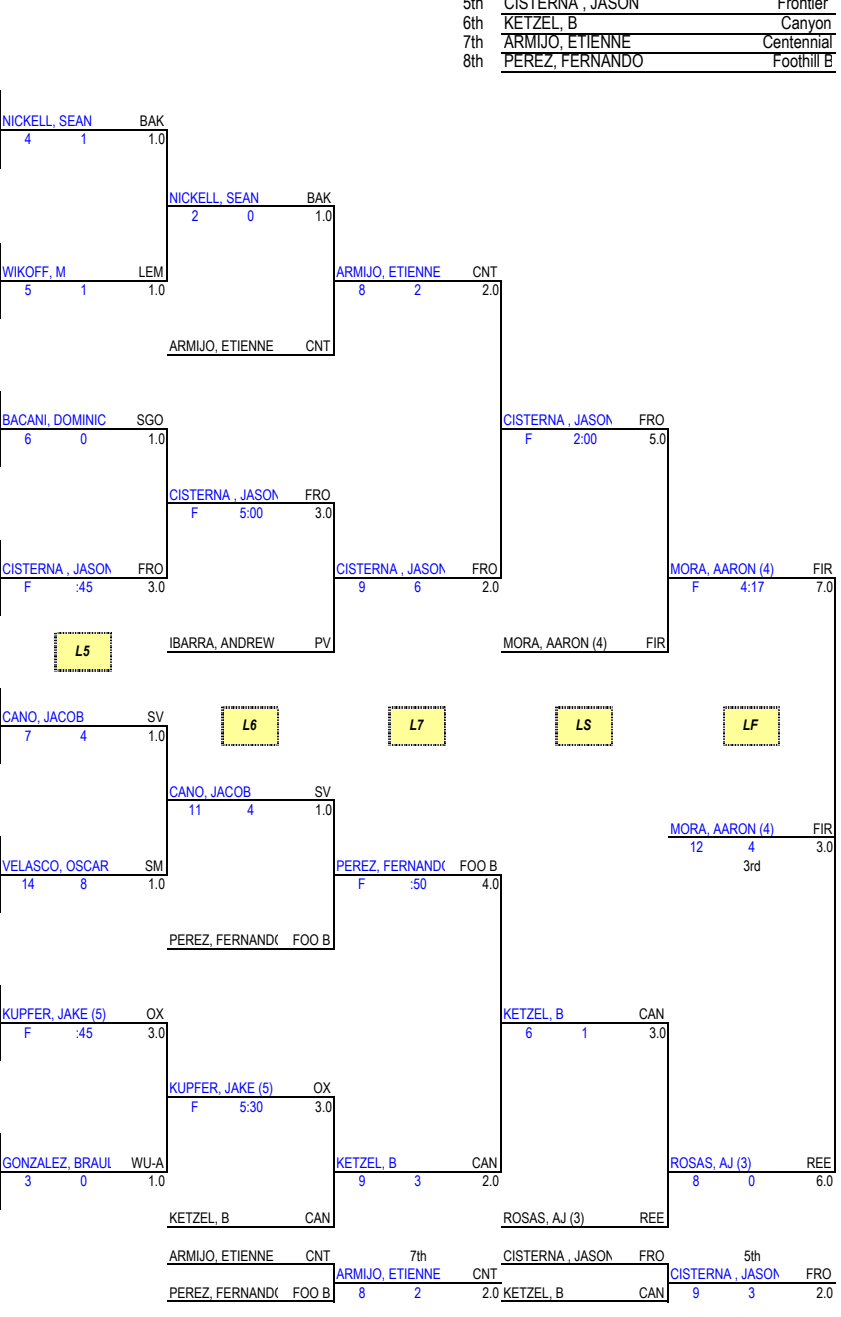
Weight Class : **106 LBS.**

GAMBLE, MATT (1)	MON	0.0	BYE
COVARRUBIAS, OSCAR	KC	4.0	GAMBLE, MATT (1)
GACAD, E	MB A	6.0	COVARRUBIAS, OSCAR
NGUYEN, DARREN	SL	4.0	F 1:31
BYE			NGUYEN, DARREN
DAVILA, SAMMY	HIG	6.0	NGUYEN, DARREN
BYE			DAVILA, SAMMY
KETZEL, B	CAN	0.0	0.0
BYE			KETZEL, B
DOUGLAS, JJ	SF-B	0.0	KETZEL, B
BYE			DOUGLAS, JJ
ARREDONDO, JASON	COA	0.0	F 3:45
BYE			ARREDONDO, JASON
MENDOZA, CRUZ (8)	ATA	0.0	MENDOZA, CRUZ (8)
BYE			MENDOZA, CRUZ (8)
KUPFER, JAKE (5)	OX	0.0	TF 17-2
ADDISON, ASAIAH	BUL	0.0	
DEVISSCHER, SHAWN	FRK	4.0	DEVISSCHER, SHAWN
BYE			DEVISSCHER, SHAWN
ENNIS, C	CB	0.0	6 3
BYE			ENNIS, C
PEREZ, FERNANDO	FOO B	0.0	PEREZ, FERNANDO
BYE			PEREZ, FERNANDO
SPEARS, COLE	CNT B	0.0	F 1:00
BYE			SPEARS, COLE
MEEK, BRYSON	STO	0.0	F 3:30
BYE			MEEK, BRYSON
PACHECO, N	CAB	0.0	0.0
BYE			PACHECO, N
MORA, AARON (4)	FIR	0.0	MORA, AARON (4)
CISTERNA, JASON	FRO	0.0	F 3:35
ROSA, AJ (3)	REE	4.0	F 1:58
BYE			ROSA, AJ (3)
GONZALEZ, NIKO	EB	0.0	ROSA, AJ (3)
NICKELL, SEAN	BAK	6.0	F 1:10
GONZALEZ, BRAULIO	WU-A	2.0	6 0
BYE			GONZALEZ, BRAULIO
KEENAN, L	MB B	0.0	F 1:45
BYE			KEENAN, L
WILLIAMS, CHRIS	GW	0.0	0.0
BYE			WILLIAMS, CHRIS
LOPEZ, ADRIEN	SAN	0.0	WILLIAMS, CHRIS
BYE			LOPEZ, ADRIEN
WIKOFF, M	LEM	0.0	0.0
BYE			WIKOFF, M
IBARRA, ANDREW (6)	PV	0.0	IBARRA, ANDREW (6)
VELASCO, OSCAR	SM	2.0	4 0
VOLLAND, JOHN (7)	LBP	2.0	8 3
BYE			VOLLAND, JOHN (7)
PINEDA, JOSEPH	LB	0.0	ARMUJO, ETIENNE
ARMUJO, ETIENNE	CNT	0.0	F 2:34
RAMIREZ, NOEL	KNG	4.0	F :47
BYE			RAMIREZ, NOEL
BACANI, DOMINIC	SGO	0.0	RAMIREZ, NOEL
BYE			BACANI, DOMINIC
RAMIREZ, AARON	SF-A	0.0	11 6
BYE			RAMIREZ, AARON
CANO, JACOB	SV	0.0	CANO, JACOB
BYE			CANO, JACOB
YUN, JAMES	SP	0.0	F :50
MIRAMONTES, GUS	CAR	0.0	YUN, JAMES
VELAZQUEZ, MARCOS (2)	FOO A	4.0	F 3:52
BYE			VELAZQUEZ, MARCOS (2)
		0.0	TF 17-0



1st	GAMBLE, MATT (1)	Monache
2nd	VELAZQUEZ, MARCOS (2)	Foothill
3rd	MORA, AARON (4)	Firebaugh
4th	ROSA, AJ (3)	Reedley
5th	CISTERNA, JASON	Frontier
6th	KETZEL, B	Canyon
7th	ARMUJO, ETIENNE	Centennial
8th	PEREZ, FERNANDO	Foothill B

GACAD, E	MB A	0.0	NICKELL, SEAN	BAK	0.0
BYE			NICKELL, SEAN	BAK	11 0
BYE			KEENAN, L	MB B	0.0
BYE			KEENAN, L	MB B	0.0
BYE			LOPEZ, ADRIEN	SAN	0.0
BYE			LOPEZ, ADRIEN	SAN	0.0
BYE			WIKOFF, M	LEM	8 1
BYE			WIKOFF, M	LEM	0.0
BYE			WIKOFF, M	LEM	0.0
ADDISON, ASAIAH	BUL	0.0	SPEARS, COLE	CNT B	0.0
BYE			SPEARS, COLE	CNT B	0.0
BYE			VOLLAND, JOHN (7)	LBP	6 0
BYE			VOLLAND, JOHN (7)	LBP	0.0
BYE			BACANI, DOMINIC	SGO	F
BYE			BACANI, DOMINIC	SGO	4.0
BYE			BACANI, DOMINIC	SGO	0.0
BYE			MENDOZA, CRUZ (8)	ATA	0.0
BYE			MENDOZA, CRUZ (8)	ATA	0.0
BYE			RAMIREZ, AARON	SF-A	0.0
BYE			RAMIREZ, AARON	SF-A	0.0
CISTERNA, JASON	FRO	0.0	CISTERNA, JASON	FRO	0.0
BYE			CISTERNA, JASON	FRO	0.0
BYE			CISTERNA, JASON	FRO	0.0
BYE			CISTERNA, JASON	FRO	0.0
BYE			NGUYEN, DARREN	SL	0.0
BYE			NGUYEN, DARREN	SL	0.0
GONZALEZ, NIKO	EB	0.0	COVARRUBIAS, OSCAR	KC	10 2
BYE			COVARRUBIAS, OSCAR	KC	0.0
BYE			COVARRUBIAS, OSCAR	KC	0.0
BYE			DAVILA, SAMMY	HIG	0.0
BYE			DAVILA, SAMMY	HIG	0.0
BYE			DAVILA, SAMMY	HIG	0.0
BYE			DOUGLAS, JJ	SF-B	0.0
BYE			DOUGLAS, JJ	SF-B	0.0
VELASCO, OSCAR	SM	0.0	VELASCO, OSCAR	SM	13 1
BYE			VELASCO, OSCAR	SM	0.0
BYE			ARREDONDO, JASON	COA	15 1
BYE			ARREDONDO, JASON	COA	0.0
BYE			RAMIREZ, NOEL	KNG	0.0
BYE			RAMIREZ, NOEL	KNG	0.0
PINEDA, JOSEPH	LB	0.0	KUPFER, JAKE (5)	OX	0.0
BYE			KUPFER, JAKE (5)	OX	0.0
BYE			KUPFER, JAKE (5)	OX	0.0
BYE			KUPFER, JAKE (5)	OX	0.0
BYE			ENNIS, C	CB	0.0
BYE			ENNIS, C	CB	0.0
BYE			WILLIAMS, CHRIS	GW	0.0
BYE			WILLIAMS, CHRIS	GW	0.0
BYE			MEEK, BRYSON	STO	0.0
BYE			MEEK, BRYSON	STO	0.0
MIRAMONTES, GUS	CAR	0.0	MEEK, BRYSON	STO	0.0
BYE			MEEK, BRYSON	STO	9 2
BYE			PACHECO, N	CAB	0.0
BYE			PACHECO, N	CAB	0.0
BYE			PACHECO, N	CAB	12 10
BYE			PACHECO, N	CAB	0.0
BYE			GONZALEZ, BRAULIO	WU-A	0.0
BYE			GONZALEZ, BRAULIO	WU-A	0.0



Weight Class : 113 LBS.

WILLIAMS, SEAN (1)	LEM	WILLIAMS, SEAN (1)	LEM	0.0
BYE				
CARTER, NICK	LB	CARTER, NICK	LB	0.0
FIGUEROA, MARCOS	MEN	FIGUEROA, MARCOS	MEN	F 1:17 6.0
ESPINOZA, JOE	SP	ESPINOZA, JOE	SP	F 5:15 4.0
BYE				
GROPPETTI, K	SJ	GROPPETTI, K	SJ	F 3:20 6.0
BYE				
ONSUREZ, ARIK	BAK	ONSUREZ, ARIK	BAK	0.0
BYE				
FLEMING, KURT	AG	FLEMING, KURT	AG	16 6 5.0
BYE				
LOPEZ, FRANKLIN	SM	LOPEZ, FRANKLIN	SM	0.0
ALVARA, EFREN	OX	ALVARA, EFREN	OX	F 2:57 4.0
MCKEE, A.J. (8)	LBP	MCKEE, A.J. (8)	LBP	F 3:15 6.0
BYE				
SUMMERS, SEAN (5)	SF-A	SUMMERS, SEAN (5)	SF-A	0.0
BYE				
CONTRAS, CESAR	ATA	CONTRAS, CESAR	ATA	0.0
PRECIADO, OSCAR	MIL	PRECIADO, OSCAR	MIL	6 4 4.0
RUIZ, AARON	ED	RUIZ, AARON	ED	TF 17-2 3.5
BYE				
CASTENEDA, VICTOR	WB	CASTENEDA, VICTOR	WB	F 1:20 6.0
BYE				
CRUZ, LUIS	KC	CRUZ, LUIS	KC	0.0
BYE				
ORTA, EDWARD	SGO	ORTA, EDWARD	SGO	0.0
BYE				
STEVE, BARRAGAN	PV	STEVE, BARRAGAN	PV	0.0
FERRER, ALEX	WU-A	FERRER, ALEX	WU-A	0.0
OROSCO, ALEX (4)	EDI	OROSCO, ALEX (4)	EDI	14 5 3.0
BYE				
ARROYO, JOSE (3)	COA	ARROYO, JOSE (3)	COA	0.0
NEBRE, PETER	HIG	NEBRE, PETER	HIG	0.0
MANZANAREZ, ALEXIS	LOM	MANZANAREZ, ALEXIS	LOM	F 2:13 4.0
BYE				
PORTER, K	CAB	PORTER, K	CAB	0.0
BYE				
EMILY, DUCOTE	LG	EMILY, DUCOTE	LG	9 0 5.0
BYE				
SHEPHERD, CHANLER	FRO	SHEPHERD, CHANLER	FRO	0.0
BYE				
ALVEREZ, JAMES	KNG	ALVEREZ, JAMES	KNG	9 8 4.0
BYE				
BETTIS, DEVIN	IND	BETTIS, DEVIN	IND	0.0
BYE				
HOOD, SETH (6)	MON	HOOD, SETH (6)	MON	F 1:40 4.0
ARCIGA, EDUARDO	CAR	ARCIGA, EDUARDO	CAR	F 1:15 4.0
OCONNOR, RYAN (7)	BRE A	OCONNOR, RYAN (7)	BRE A	F 1:10 4.0
OUT - RODRIGUEZ, MICHAEL	BUL	OUT - RODRIGUEZ, MICHAEL	BUL	0.0
CARDENAS, CHRISTAN	SL	CARDENAS, CHRISTAN	SL	12 0 3.0
BYE				
MEJIA, A	GV	MEJIA, A	GV	F :40 4.0
BYE				
ASBURY, A	CB	ASBURY, A	CB	7 2 4.0
BYE				
CALVILLO, LUIS	REE	CALVILLO, LUIS	REE	0.0
BYE				
OUT - SOTO, DEVIN	SAN	OUT - SOTO, DEVIN	SAN	0.0
BYE				
MOLINA, ARMAND	FIR	MOLINA, ARMAND	FIR	F 1:52 6.0
RAMOS, HUNTER	FRK	RAMOS, HUNTER	FRK	0.0
THOMAS, BRENDAN (2)	COR A	THOMAS, BRENDAN (2)	COR A	F 4:50 4.0
BYE				
THOMAS, BRENDAN (2)	COR A	THOMAS, BRENDAN (2)	COR A	3 2 4.0

WILLIAMS, SEAN (1)	LEM	WILLIAMS, SEAN (1)	LEM	0.0
BYE				
CARTER, NICK	LB	CARTER, NICK	LB	0.0
FIGUEROA, MARCOS	MEN	FIGUEROA, MARCOS	MEN	F 1:17 6.0
ESPINOZA, JOE	SP	ESPINOZA, JOE	SP	F 5:15 4.0
BYE				
GROPPETTI, K	SJ	GROPPETTI, K	SJ	F 3:20 6.0
BYE				
ONSUREZ, ARIK	BAK	ONSUREZ, ARIK	BAK	0.0
BYE				
FLEMING, KURT	AG	FLEMING, KURT	AG	16 6 5.0
BYE				
LOPEZ, FRANKLIN	SM	LOPEZ, FRANKLIN	SM	0.0
ALVARA, EFREN	OX	ALVARA, EFREN	OX	F 2:57 4.0
MCKEE, A.J. (8)	LBP	MCKEE, A.J. (8)	LBP	F 3:15 6.0
BYE				
SUMMERS, SEAN (5)	SF-A	SUMMERS, SEAN (5)	SF-A	0.0
BYE				
CONTRAS, CESAR	ATA	CONTRAS, CESAR	ATA	0.0
PRECIADO, OSCAR	MIL	PRECIADO, OSCAR	MIL	6 4 4.0
RUIZ, AARON	ED	RUIZ, AARON	ED	TF 17-2 3.5
BYE				
CASTENEDA, VICTOR	WB	CASTENEDA, VICTOR	WB	F 1:20 6.0
BYE				
CRUZ, LUIS	KC	CRUZ, LUIS	KC	0.0
BYE				
ORTA, EDWARD	SGO	ORTA, EDWARD	SGO	0.0
BYE				
STEVE, BARRAGAN	PV	STEVE, BARRAGAN	PV	0.0
FERRER, ALEX	WU-A	FERRER, ALEX	WU-A	0.0
OROSCO, ALEX (4)	EDI	OROSCO, ALEX (4)	EDI	14 5 3.0
BYE				
ARROYO, JOSE (3)	COA	ARROYO, JOSE (3)	COA	0.0
NEBRE, PETER	HIG	NEBRE, PETER	HIG	0.0
MANZANAREZ, ALEXIS	LOM	MANZANAREZ, ALEXIS	LOM	F 2:13 4.0
BYE				
PORTER, K	CAB	PORTER, K	CAB	0.0
BYE				
EMILY, DUCOTE	LG	EMILY, DUCOTE	LG	9 0 5.0
BYE				
SHEPHERD, CHANLER	FRO	SHEPHERD, CHANLER	FRO	0.0
BYE				
ALVEREZ, JAMES	KNG	ALVEREZ, JAMES	KNG	9 8 4.0
BYE				
BETTIS, DEVIN	IND	BETTIS, DEVIN	IND	0.0
BYE				
HOOD, SETH (6)	MON	HOOD, SETH (6)	MON	F 1:40 4.0
ARCIGA, EDUARDO	CAR	ARCIGA, EDUARDO	CAR	F 1:15 4.0
OCONNOR, RYAN (7)	BRE A	OCONNOR, RYAN (7)	BRE A	F 1:10 4.0
OUT - RODRIGUEZ, MICHAEL	BUL	OUT - RODRIGUEZ, MICHAEL	BUL	0.0
CARDENAS, CHRISTAN	SL	CARDENAS, CHRISTAN	SL	12 0 3.0
BYE				
MEJIA, A	GV	MEJIA, A	GV	F :40 4.0
BYE				
ASBURY, A	CB	ASBURY, A	CB	7 2 4.0
BYE				
CALVILLO, LUIS	REE	CALVILLO, LUIS	REE	0.0
BYE				
OUT - SOTO, DEVIN	SAN	OUT - SOTO, DEVIN	SAN	0.0
BYE				
MOLINA, ARMAND	FIR	MOLINA, ARMAND	FIR	F 1:52 6.0
RAMOS, HUNTER	FRK	RAMOS, HUNTER	FRK	0.0
THOMAS, BRENDAN (2)	COR A	THOMAS, BRENDAN (2)	COR A	F 4:50 4.0
BYE				
THOMAS, BRENDAN (2)	COR A	THOMAS, BRENDAN (2)	COR A	3 2 4.0

- 1st MCKEE, A.J. (8) LONG BEACH POLY
- 2nd OCONNOR, RYAN (7) Brea Olinda
- 3rd WILLIAMS, SEAN (1) Lemoore
- 4th HOOD, SETH (6) Monache
- 5th ARROYO, JOSE (3) Coalinga
- 6th SUMMERS, SEAN (5) Saint Francis
- 7th ASBURY, A Christian Brothers
- 8th OROSCO, ALEX (4) Edison

BYE				
CARTER, NICK	LB	CARTER, NICK	LB	0.0
BYE				
MANZANAREZ, ALE	LOM	MANZANAREZ, ALE	LOM	F 4.0
BYE				
EMILY, DUCOTE	LG	EMILY, DUCOTE	LG	0.0
BYE				
SHEPHERD, CHAN	FRO	SHEPHERD, CHAN	FRO	0.0
BYE				
ALVARA, EFREN	OX	ALVARA, EFREN	OX	F 1:50 3.0
BYE				
BETTIS, DEVIN	IND	BETTIS, DEVIN	IND	7 0 2.0
BYE				
CONTRAS, CESAI	ATA	CONTRAS, CESAI	ATA	0.0
CARDENAS, CHRIS	SL	CARDENAS, CHRIS	SL	F 5:40 4.0
BYE				
MEJIA, A	GV	MEJIA, A	GV	5 3 2.0
BYE				
MEJIA, A	GV	MEJIA, A	GV	0.0
BYE				
CALVILLO, LUIS	REE	CALVILLO, LUIS	REE	0.0
BYE				
FERRER, ALEX	WU-A	FERRER, ALEX	WU-A	0.0
BYE				
MOLINA, ARMAND	FIR	MOLINA, ARMAND	FIR	F 2:39 3.0
NEBRE, PETER	HIG	NEBRE, PETER	HIG	0.0
BYE				
FIGUEROA, MARCO	MEN	FIGUEROA, MARCO	MEN	15 4 2.0
BYE				
ESPINOZA, JOE	SP	ESPINOZA, JOE	SP	0.0
BYE				
OUT - SOTO, DEVIN	SAN	OUT - SOTO, DEVIN	SAN	F 1:40 3.0
BYE				
FLEMING, KURT	AG	FLEMING, KURT	AG	0.0
BYE				
ARCIGA, EDUARDO	CAR	ARCIGA, EDUARDO	CAR	F 1:40 3.0
BYE				
LOPEZ, FRANKLIN	SM	LOPEZ, FRANKLIN	SM	F 5:45 3.0
OUT - RODRIGUEZ, BUL	BUL	OUT - RODRIGUEZ, BUL	BUL	0.0
BYE				
PRECIADO, OSCAR	MIL	PRECIADO, OSCAR	MIL	F 4.0
BYE				
CASTENEDA, VICT	WB	CASTENEDA, VICT	WB	0.0
BYE				
ALVEREZ, JAMES	KNG	ALVEREZ, JAMES	KNG	0.0
BYE				
CRUZ, LUIS	KC	CRUZ, LUIS	KC	0.0
RAMOS, HUNTER	FRK	RAMOS, HUNTER	FRK	0.0
BYE				
STEVE, BARRAGA	PV	STEVE, BARRAGA	PV	5 3 1.0
BYE				
STEVE, BARRAGA	PV	STEVE, BARRAGA	PV	TF 18-3 2.5
PORTER, K	CAB	PORTER, K	CAB	0.0

CARTER, NICK	LB	CARTER, NICK	LB	0.0
BYE				
EMILY, DUCOTE	LG	EMILY, DUCOTE	LG	0.0
BYE				
SHEPHERD, CHAN	FRO	SHEPHERD, CHAN	FRO	0.0
BYE				
ALVARA, EFREN	OX	ALVARA, EFREN	OX	F 1:50 3.0
BYE				
BETTIS, DEVIN	IND	BETTIS, DEVIN	IND	7 0 2.0
BYE				
CONTRAS, CESAI	ATA	CONTRAS, CESAI	ATA	0.0
CARDENAS, CHRIS	SL	CARDENAS, CHRIS	SL	F 5:40 4.0
BYE				
MEJIA, A	GV	MEJIA, A	GV	5 3 2.0
BYE				
MEJIA, A	GV	MEJIA, A	GV	0.0
BYE				
CALVILLO, LUIS	REE	CALVILLO, LUIS	REE	0.0
BYE				
FERRER, ALEX	WU-A	FERRER, ALEX	WU-A	0.0
BYE				
MOLINA, ARMAND	FIR	MOLINA, ARMAND	FIR	F 2:39 3.0
NEBRE, PETER	HIG	NEBRE, PETER	HIG	0.0
BYE				
FIGUEROA, MARCO	MEN	FIGUEROA, MARCO	MEN	15 4 2.0
BYE				
ESPINOZA, JOE	SP	ESPINOZA, JOE	SP	0.0
BYE				
OUT - SOTO, DEVIN	SAN	OUT - SOTO, DEVIN	SAN	F 1:40 3.0
BYE				
FLEMING, KURT	AG	FLEMING, KURT	AG	0.0
BYE				
ARCIGA, EDUARDO	CAR	ARCIGA, EDUARDO	CAR	F 1:40 3.0
BYE				
LOPEZ, FRANKLIN	SM	LOPEZ, FRANKLIN	SM	F 5:45 3.0
OUT - RODRIGUEZ, BUL	BUL	OUT - RODRIGUEZ, BUL	BUL	0.0
BYE				
PRECIADO, OSCAR	MIL	PRECIADO, OSCAR	MIL	F 4.0
BYE				
CASTENEDA, VICT	WB	CASTENEDA, VICT	WB	0.0
BYE				
ALVEREZ, JAMES	KNG	ALVEREZ, JAMES	KNG	0.0
BYE				
CRUZ, LUIS	KC	CRUZ, LUIS	KC	0.0
RAMOS, HUNTER	FRK	RAMOS, HUNTER	FRK	0.0
BYE				
STEVE, BARRAGA	PV	STEVE, BARRAGA	PV	5 3 1.0
BYE				
STEVE, BARRAGA	PV	STEVE, BARRAGA	PV	TF 18-3 2.5
PORTER, K	CAB	PORTER, K	CAB	0.0

- 7th WILLIAMS, SEAN (1) LEM
- ASBURY, A CB
- 9th SUMMERS, SEAN (5) SF-A
- 5th ARROYO, JOSE (3) COA

Weight Class : 120 LBS.

PANDURO, ADRIAN (1)	COR A				
BYE		PANDURO, ADRIAN (1)	COR A		
CANO, STEVEN	LEM	0.0	PANDURO, ADRIAN (1)	COR A	
GEORGE, RYAN	LB	CANO, STEVEN	LEM	TF 1:40	5.5
OUT - KELLOGG, GAGE	CNT	F 3:50	4.0		
MARTINEZ, GABE	BRE A	MARTINEZ, GABE	BRE A		
AGUIRRE, CESAR	FOO A	DEF	AGUIRRE, CESAR	FOO A	
BENZONI, SAM	SP	AGUIRRE, CESAR	FOO A	F 2:40	4.0
VASQUEZ, DANIEL	SAN	F :55	4.0		
LOGAN, CODY	HIG	VASQUEZ, DANIEL	SAN		
CADY, CHESSIN	LG	F 3:00	4.0	VASQUEZ, DANIEL	SAN
BYE		CADY, CHESSIN	LG	7 2	2.0
JACKSON, JACQUEALL	EDI				
PEREZ, BAILEY	REE	JACKSON, JACQUEALL	EDI		
FERRER, JOEY (8)	WU-A	F 1:00	4.0	FERRER, JOEY (8)	WU-A
BYE		FERRER, JOEY (8)	WU-A	F 3:15	6.0
EVENS, GIVEON (5)	LBP				
BYE		EVENS, GIVEON (5)	LBP		
HORD, CHUCKY	GV				
WEAVER, PRESTON	FRO	WEAVER, PRESTON	FRO	9 6	2.0
LOPEZ, STEVEN	OX	14 3	3.0		
CARDENAS, ANTHONY	PV	LOPEZ, STEVEN	OX		
ALLEN, FLETCHER	THE	11 6	2.0	LOPEZ, STEVEN	OX
BYE		ALLEN, FLETCHER	THE	6 4	2.0
ESCABOR, DOMINIC	COA				
LOPEZ, JUAN	FOO B	LOPEZ, JUAN	FOO B		
MANRIQUEZ, MIGUEL	FIR	14 5	3.0	LOPEZ, JUAN	FOO B
BYE		MANRIQUEZ, MIGUEL	FIR	3 2	2.0
FRANCO, JEFFREY	BUL				
BYE		FRANCO, JEFFREY	BUL		
WEIR, MATT (4)	ATA				
MESZAROS, CAMERON	SF-B	WEIR, MATT (4)	ATA	F 3:45	4.0
NADER, M (3)	CAN	5 3	2.0		
DIAZ, NATE	SGO	NADER, M (3)	CAN		
GOLDBERG, A	CB	DEF	4.0	NADER, M (3)	CAN
BYE		GOLDBERG, A	CB	F 1:16	4.0
CUETO, JOE	SL				
BYE		CUETO, JOE	SL		
TOVAR, DAVID	FOW				
RONEMUS, C	CU	RONEMUS, C	CU	8 6	4.0
ROZO, BRYAN	AG	13 8	2.0		
NABORS, KC	MC	ROZO, BRYAN	AG		
PIZANO, CARLITO	STO	F 3:00	4.0	ROZO, BRYAN	AG
BYE		PIZANO, CARLITO	STO	4 2	2.0
DOMINGUEZ, LUIS	PAR				
VILLEGAS, JACOB	KC	DOMINGUEZ, LUIS	PAR		
CASTELLANOS, ANGEL (6)	MIL	8 0	3.0	CASTELLANOS, ANGEL (6)	MIL
BYE		CASTELLANOS, ANGEL (6)	MIL	5 0:00	4.0
VILLAFLO, JOSH (7)	FRK				
BYE		VILLAFLO, JOSH (7)	FRK		
GONZALES, RUEBEN	ED				
BRACAMONTE, ADAM	EB B	BRACAMONTE, ADAM	EB B	F 5:00	6.0
BAUSLEY, EDDIE	NIP	10 1	3.0		
GARCIA, MATTHEW	SM	BAUSLEY, EDDIE	NIP		
RANGEL, ANTONIO	LOM	F 1:05	4.0	BAUSLEY, EDDIE	NIP
BYE		RANGEL, ANTONIO	LOM	F 1:01	4.0
ONSUREZ, ADRIAN	EB				
TIRADO, JONAS	KNG	TIRADO, JONAS	KNG		
RACIMO, CHRISTIAN	SF-A	6 1	2.0	POE, RYAN	MON
POE, RYAN	MON			9 4	2.0
VALENZUELA, ANDREW	IND	F :58	4.0		
BYE		VALENZUELA, ANDREW	IND		
MARIN, OSCAR (2)	BAK				
REED, ALEX	CC	MARIN, OSCAR (2)	BAK	12 1	3.0
BYE		REED, ALEX	CC	F 3:41	4.0

PANDURO, ADRIAN (1)	COR A		
TF 1:59	3.5		
PANDURO, ADRIAN (1)	COR A		
9 3	5.0		
FERRER, JOEY (8)	WU-A		
F	4.0		
PANDURO, ADRIAN (1)	COR A		
TF 3:20	12.5		
LOPEZ, STEVEN	OX		
6 0	2.0		
WEIR, MATT (4)	ATA		
7 5	5.0		
WEIR, MATT (4)	ATA		
F	4.0		
PANDURO, ADRIAN (1)	COR A		
16 3	5.0		
1st			
NADER, M (3)	CAN		
F :30	4.0		
NADER, M (3)	CAN		
5 2	5.0		
ROZO, BRYAN	AG		
	0.0		
NADER, M (3)	CAN		
3 2	11.0		
MARIN, OSCAR (2)	BAK		
9 2	5.0		
MARIN, OSCAR (2)	BAK		
4 2	2.0		

- 1st PANDURO, ADRIAN (1) Corcoran
- 2nd NADER, M (3) Canyon
- 3rd MARIN, OSCAR (2) Bakersfield
- 4th WEIR, MATT (4) Atascadero
- 5th VILLAFLO, JOSH (7) Franklin
- 6th FERRER, JOEY (8) Washington Union
- 7th POE, RYAN Monache
- 8th ROZO, BRYAN Arroyo Grande

GEORGE, RYAN	LB	GEORGE, RYAN	LB		
		GOLDBERG, A	CB	0.0	
		GOLDBERG, A	CB	7 2	1.0
OUT - KELLOGG, G	CNT				
BENZONI, SAM	SP	BENZONI, SAM	SP	12 6	1.0
		DEF	3.0	BENZONI, SAM	SP
		RONEMUS, C	CU	F :50	3.0
LOGAN, CODY	HIG				
BYE		LOGAN, CODY	HIG		
		PIZANO, CARLITO	STO		
		PIZANO, CARLITO	STO	F 1:22	3.0
PEREZ, BAILEY	REE				
BYE		PEREZ, BAILEY	REE	F 1:33	3.0
		DOMINGUEZ, LUIS	PAR		
		DOMINGUEZ, LUIS	PAR	2 0	1.0
BYE					
HORD, CHUCKY	GV	HORD, CHUCKY	GV		
		HORD, CHUCKY	GV		
		BRACAMONTE, AD	EB B	DEF	4.0
CARDENAS, ANTHI	PV				
BYE		CARDENAS, ANTHI	PV	F 4:30	3.0
		CARDENAS, ANTHI	PV		
		RANGEL, ANTONIC	LOM	17 4	3.0
ESCABOR, DOMINI	COA				
BYE		ESCABOR, DOMINI	COA		
		TIRADO, JONAS	KNG		
		TIRADO, JONAS	KNG	F :35	3.0
BYE					
MESZAROS, CAME	SF-B	MESZAROS, CAME	SF-B	10 7	1.0
		MESZAROS, CAME	SF-B		
		VALENZUELA, AND	IND		
DIAZ, NATE	SGO				
BYE		DIAZ, NATE	SGO		
		CANO, STEVEN	LEM		
		CANO, STEVEN	LEM	DEF	3.0
BYE					
TOVAR, DAVID	FOW	TOVAR, DAVID	FOW	F	3.0
		MARTINEZ, GABE	BRE A	7 0	1.0
NABORS, KC	MC				
BYE		NABORS, KC	MC		
		CADY, CHESSIN	LG		
		CADY, CHESSIN	LG	F	3.0
VILLEGAS, JACOB	KC				
BYE		VILLEGAS, JACOB	KC	17 4	2.0
		JACKSON, JACQUE	EDI		
		JACKSON, JACQUE	EDI	F	3.0
BYE					
GONZALES, RUEBI	ED	GONZALES, RUEBI	ED		
		EVENS, GIVEON (5)	LBP		
		EVENS, GIVEON (5)	LBP	F :22	3.0
GARCIA, MATTHEW	SM				
BYE		GARCIA, MATTHEW	SM	4 3	1.0
		ALLEN, FLETCHER	THE	3 2	1.0
ONSUREZ, ADRIAN	EB				
RACIMO, CHRISTIA	SF-A	RACIMO, CHRISTIA	SF-A		
		MANRIQUEZ, MIGU	FIR	F 3:20	3.0
BYE					
REED, ALEX	CC	REED, ALEX	CC		
		FRANCO, JEFFREY	BUL		
		FRANCO, JEFFREY	BUL	5 3	1.0
		CUETO, JOE	SL		

WEAVER, PRESTC	FRO		
F 1:36	3.0		
PIZANO, CARLITO	STO		
F 2:15	3.0		
PIZANO, CARLITO	STO		
F 1:50	3.0		
VILLAFLO, JOSH	FRK		
16 8	3.0		
VILLAFLO, JOSH	FRK		
VASQUEZ, DANIEL	SAN		
F 1:36	3.0		
AGUIRRE, CESAR	FOO A		
F 1:20	3.0		
AGUIRRE, CESAR	FOO A		
DEF	3.0		
ROZO, BRYAN	AG		
WEIR, MATT (4)	ATA		
POE, RYAN	MON		
TF	2.5		
POE, RYAN	MON		
10 0	2.0		
JACKSON, JACQUE	EDI		
TF 4:45	2.5		
JACKSON, JACQUE	EDI		
14 5	3.0		
LOPEZ, STEVEN	OX		
POE, RYAN	MON		
4 0	1.0		
RACIMO, CHRISTIA	SF-A		
F 2:03	3.0		
RACIMO, CHRISTIA	SF-A		
F :15	4.0		
FERRER, JOEY (8)	WU-A		
MARIN, OSCAR (2)	BAK		

1st	PANDURO, ADRIAN (1)	Corcoran
2nd	NADER, M (3)	Canyon
3rd	MARIN, OSCAR (2)	Bakersfield
4th	WEIR, MATT (4)	Atascadero
5th	VILLAFLO, JOSH (7)	Franklin
6th	FERRER, JOEY (8)	Washington Union
7th	POE, RYAN	Monache
8th	ROZO, BRYAN	Arroyo Grande

Weight Class : 126 LBS.

POLANCO, DANIEL (1)	SF-A	0.0	
BYE			
MIANO, C	SJ	0.0	
QUINTANAR, JESUS	MEN	0.0	
ALAYSA, R	LEM	2.0	
BYE			
STALNAKER, BRAXTON	GV	0.0	
BYE			
JIMINEZ, ANTONIO	FRK	0.0	
BYE			
OUT - PEREZ, JOSE	CAR	0.0	
JACOB, JAGELSKI	LG	0.0	
CARUSO, AUGIE	NIP	4.0	
MATA, JOSEPH	KNG	0.0	
MURPHY, SHANE (8)	SV	3.0	
BYE			
GUTIERREZ, KEVIN (5)	MIL	0.0	
BYE			
CAMPO, BRANDON	REE	0.0	
PADRON, JUSTO	SAN	4.0	
KIM, C	MB A	4.0	
BYE			
DUXBURY, KLAYTON	THE	0.0	
BYE			
BRACAMONTES, RIGO	OX	0.0	
BYE			
CORRAL, ROBERT	SGO	0.0	
BYE			
MENDOZA, MARIO	CC	0.0	
BYE			
OZUNA, IZIAHA (4)	FRO	0.0	
OCEGUERA, FRANKIE	SL	4.0	
CLEMMENSEN, JACKO (3)	ATA	3.0	
SCOFIELD, Z	CNT B	0.0	
CARDOZA, SONNY	HIG	4.0	
BYE			
MORFIN, GABE	BC	0.0	
BYE			
OZIMA, NICK	BRE A	0.0	
BYE			
PEREZ-PORTILLO, A	CAB	0.0	
IBARRA, RICKY	COR A	0.0	
HARONIAN, BEN	CAL	4.0	
BYE			
WAGNER, XAN	BUL	0.0	
BYE			
SAAVEDRA, WILLYAM (6)	FOO A	0.0	
SIBAYAN, JOSH	MON	0.0	
DATO, JOHN (7)	PV	3.0	
TREIBERG, ALEX	CNT	0.0	
VARGAS, JOSE	LOM	4.0	
BYE			
XIONG, TOU LEE	WU-A	0.0	
EHRlich, SEAN	SP	0.0	
HOOD, CODY	KC	2.0	
BYE			
MARTINEZ, OSCAR	MCL	0.0	
BYE			
REYNOSO, ANDREW	GW	0.0	
BYE			
COTTER, NATHAN	STO	0.0	
VELASQUEZ, DANIEL	FIR	0.0	
NUNEZ, J (2)	CAN	4.0	
BYE			

POLANCO, DANIEL (1)	SF-A	3.0	
ALAYSA, R	LEM	6.0	
MURPHY, SHANE (8)	SV	5.0	
MURPHY, SHANE (8)	SV	2.0	
MURPHY, SHANE (8)	SV	4.0	
OZUNA, IZIAHA (4)	FRO	12.0	
GUTIERREZ, KEVIN (5)	MIL	3.0	
OZUNA, IZIAHA (4)	FRO	6.0	
OZUNA, IZIAHA (4)	FRO	4.0	
CLEMMENSEN, JACKO (3)	ATA	4.0	
OZIMA, NICK	BRE A	6.0	
SAAVEDRA, WILLYAM (6)	FOO A	7.0	
SAAVEDRA, WILLYAM (6)	FOO A	4.0	
DATO, JOHN (7)	PV	4.0	
DATO, JOHN (7)	PV	4.0	
EHRlich, SEAN	SP	4.0	
NUNEZ, J (2)	CAN	5.0	
NUNEZ, J (2)	CAN	3.5	
NUNEZ, J (2)	CAN	4.0	
NUNEZ, J (2)	CAN	13.0	

- 1st NUNEZ, J (2) Canyon
- 2nd OZUNA, IZIAHA (4) Frontier
- 3rd MURPHY, SHANE (8) Simi Valley
- 4th SAAVEDRA, WILLYAM (6) Foothill
- 5th GUTIERREZ, KEVIN (5) Millikar
- 6th DATO, JOHN (7) Pioneer Valley
- 7th CLEMMENSEN, JACKO (3) Atascadero
- 8th OZIMA, NICK Brea Olinda

MIANO, C	SJ	0.0	
BYE			
CARDOZA, SONNY	HIG	2.0	
BYE			
MORFIN, GABE	BC	0.0	
BYE			
JACOB, JAGELSKI	LG	0.0	
HARONIAN, BEN	CAL	4.0	
CARUSO, AUGIE	NIP	0.0	
BYE			
WAGNER, XAN	BUL	2.0	
BYE			
CAMPO, BRANDON	REE	0.0	
BYE			
VARGAS, JOSE	LOM	3.0	
BYE			
HOOD, CODY	KC	0.0	
BYE			
REYNOSO, ANDRE	GW	0.0	
BYE			
OCEGUERA, FRAN	SL	0.0	
VELASQUEZ, DANI	FIR	3.0	
SCOFIELD, Z	CNT B	0.0	
BYE			
QUINTANAR, JESU	MEN	3.0	
BYE			
STALNAKER, BRAX	GV	0.0	
IBARRA, RICKY	COR A	0.0	
BYE			
JIMINEZ, ANTONIO	FRK	3.0	
BYE			
SIBAYAN, JOSH	MON	0.0	
MATA, JOSEPH	KNG	3.0	
TREIBERG, ALEX	CNT	0.0	
BYE			
PADRON, JUSTO	SAN	1.0	
XIONG, TOU LEE	WU-A	0.0	
BYE			
DUXBURY, KLAYTC	THE	1.0	
BYE			
BRACAMONTES, R	OX	0.0	
COTTER, NATHAN	STO	0.0	
BYE			
MENDOZA, MARIO	CC	4.0	
BYE			
OZIMA, NICK	BRE A	3.0	

MIANO, C	SJ	3.0	
KIM, C	MB A	3.0	
KIM, C	MB A	1.0	
JACOB, JAGELSKI	LG	3.0	
JACOB, JAGELSKI	LG	3.0	
DATO, JOHN (7)	PV	4.0	
DATO, JOHN (7)	PV	3.0	
VELASQUEZ, DANI	FIR	3.0	
VELASQUEZ, DANI	FIR	1.0	
CLEMMENSEN, JAI	ATA	4.0	
MURPHY, SHANE (SV	7.0	
MURPHY, SHANE (SV	2.0	
JIMINEZ, ANTONIO	FRK	2.0	
JIMINEZ, ANTONIO	FRK	1.0	
GUTIERREZ, KEVII	MIL	2.0	
GUTIERREZ, KEVII	MIL	3.0	
OZIMA, NICK	BRE A	1.0	
OZIMA, NICK	BRE A	4.0	
SAAVEDRA, WILLY	FOO A	7.0	
SAAVEDRA, WILLY	FOO A	4.0	
DATO, JOHN (7)	PV	5th	
CLEMMENSEN, JAI	ATA	DEF	
GUTIERREZ, KEVII	MIL	DEF	

Weight Class : 132 LBS.

GASCA, JAVIER (1)	KNG		
GOMEZ, MARIO	THE	GASCA, JAVIER (1)	KNG
DAVIS, SPENCER	LG	F 1:29	4.0
BYE		DAVIS, SPENCER	LG
SERNA, TRINI	FIR		0.0
BYE		SERNA, TRINI	FIR
ANDRADE, DIEGO	KC		0.0
BYE		ANDRADE, DIEGO	KC
BRISENO, ANTHONY	LB		0.0
FOSTER, DALTON	MIL		4.0
CASTELAN, BRIAN	COA	F 1:33	4.0
BYE		CASTELAN, BRIAN	COA
ROBLES, LA RENZ	HIG		0.0
BYE		ROBLES, LA RENZ	HIG
MARTIN, BRYCE (8)	BAK		0.0
PLAZA, ERIC	WU-A	MARTIN, BRYCE (8)	BAK
HINOJOSA, ABRAHAM (5)	FOO A	F 2:46	4.0
OCHOA, BEN	IND	HINOJOSA, ABRAHAM (5)	FOO A
BEECHUM, T	MB A	F 4:30	4.0
BYE		BEECHUM, T	MB A
WELLS, JIMMY	FRK		0.0
BYE		WELLS, JIMMY	FRK
SOTO, JUSTIN	SAN		0.0
GARCIA, P	WB		0.0
BARRONE, CHARLIE	SP	5 3	2.0
BYE		BARRONE, CHARLIE	SP
MCKENNA, TYLER	LOM		0.0
BYE		MCKENNA, TYLER	LOM
APREZA, MARVIN	AG		0.0
BYE		APREZA, MARVIN	AG
VAUGHN, KEVIN (4)	MON		0.0
ESCOTO, JIMMY	GV	VAUGHN, KEVIN (4)	MON
HALTERMAN, ABE (3)	ATA	9 7	2.0
BYE		HALTERMAN, ABE (3)	ATA
HOLMES, MATT	LEM		0.0
OUT - RAMIREZ, ERIC	CAR	HOLMES, MATT	LEM
HERNANDEZ, AARON	ED	F 3:20	4.0
BYE		HERNANDEZ, AARON	ED
VALENTINE, R	SJ		0.0
BYE		VALENTINE, R	SJ
QUINTANAR, CARLOS	MEN		0.0
BYE		QUINTANAR, CARLOS	MEN
KEDJIAN, GUY	CAL		0.0
HERNANDEZ, MARK	WU-B	HERNANDEZ, MARK	WU-B
PARKER, BRETT	BUL	11 5	2.0
CLARKE, CHARLEY	SF-A	PARKER, BRETT	BUL
COTTER, DJ (6)	STO	14 4	3.0
BYE		COTTER, DJ (6)	STO
CERVANTES, DANIEL (7)	GW		0.0
YU, JOHNNY	SL	CERVANTES, DANIEL (7)	GW
MATA, ANTHONY	FOW	F 1:20	4.0
BYE		MATA, ANTHONY	FOW
HERNANDEZ, CARLOS	REE		0.0
BYE		HERNANDEZ, CARLOS	REE
RODRIGUEZ, ANGEL	PV		0.0
AVALOS, DANIEL	EDI	AVALOS, DANIEL	EDI
AMIAMA, JC	EB	F 3:45	4.0
BYE		AMIAMA, JC	EB
ROJAS, OSCAR	COR A		0.0
BYE		ROJAS, OSCAR	COR A
WILLISON, COLE	BRE A		0.0
DURAN, DAMIAN	NIP	WILLISON, COLE	BRE A
CAMPBELL, BRANDON (2)	SV	F 3:20	4.0
BYE		CAMPBELL, BRANDON (2)	SV

GASCA, JAVIER (1)	KNG		
F 3:08			4.0
GASCA, JAVIER (1)	KNG		
F 1:48			7.0
MARTIN, BRYCE (8)	BAK		
F 4:15			4.0
GASCA, JAVIER (1)	KNG		
F 5:26			13.0
HINOJOSA, ABRAHAM (5)	FOO A	10 2	3.0
GARCIA, P	WB	4 0	2.0
APREZA, MARVIN	AG	7 5	5.0
APREZA, MARVIN	AG	14 0	3.0
GASCA, JAVIER (1)	KNG	13 3	5.0
		1st	
HALTERMAN, ABE (3)	ATA	F 4:31	4.0
HALTERMAN, ABE (3)	ATA	7 2	5.0
CAMPBELL, BRANDON (2)	SV	4 3	11.0
AVALOS, DANIEL	EDI	11 6	2.0
CAMPBELL, BRANDON (2)	SV	F 5:00	7.0
CAMPBELL, BRANDON (2)	SV	F 1:00	4.0

- 1st GASCA, JAVIER (1) KINGSBURG
- 2nd CAMPBELL, BRANDON (2) Simi Valley
- 3rd HALTERMAN, ABE (3) Atascadero
- 4th APREZA, MARVIN Arroyo Grande
- 5th MARTIN, BRYCE (8) Bakersfield
- 6th WILLISON, COLE Brea Olinda
- 7th COTTER, DJ (6) Stockdale
- 8th HINOJOSA, ABRAHAM (5) Foothill

GOMEZ, MARIO	THE		
BYE		GOMEZ, MARIO	THE
HOLMES, MATT	LEM		0.0
BYE		HOLMES, MATT	LEM
VALENTINE, R	SJ		0.0
BYE		VALENTINE, R	SJ
BRISENO, ANTHONY	LB		0.0
BYE		BRISENO, ANTHONY	LB
HERNANDEZ, MAR	WU-B	10 8	2.0
PLAZA, ERIC	WU-A		0.0
BYE		PLAZA, ERIC	WU-A
COTTER, DJ (6)	STO	F 5:28	3.0
OCHOA, BEN	IND		0.0
BYE		OCHOA, BEN	IND
MATA, ANTHONY	FOW	F 2:59	3.0
BYE		MATA, ANTHONY	FOW
SOTO, JUSTIN	SAN		0.0
BYE		SOTO, JUSTIN	SAN
HERNANDEZ, CAR	REE	F 2:05	4.0
BYE		HERNANDEZ, CAR	REE
ROJAS, OSCAR	COR A		0.0
BYE		ROJAS, OSCAR	COR A
ESCOTO, JIMMY	GV		0.0
BYE		ESCOTO, JIMMY	GV
WILLISON, COLE	BRE A	F :29	3.0
BYE		WILLISON, COLE	BRE A
OUT - RAMIREZ, EF	CAR		0.0
BYE		OUT - RAMIREZ, EF	CAR
DAVIS, SPENCER	LG	7 5	2.0
BYE		DAVIS, SPENCER	LG
ANDRADE, DIEGO	KC		0.0
BYE		ANDRADE, DIEGO	KC
KEDJIAN, GUY	CAL		0.0
BYE		KEDJIAN, GUY	CAL
CASTELAN, BRIAN	COA	F 2:50	3.0
CLARKE, CHARLEY	SF-A		0.0
BYE		CLARKE, CHARLEY	SF-A
ROBLES, LA RENZ	HIG	F :55	4.0
YU, JOHNNY	SL		0.0
BYE		YU, JOHNNY	SL
BEECHUM, T	MB A	F :35	3.0
BYE		BEECHUM, T	MB A
RODRIGUEZ, ANGE	PV		0.0
BYE		RODRIGUEZ, ANGE	PV
WELLS, JIMMY	FRK	4 0	1.0
BYE		WELLS, JIMMY	FRK
MCKENNA, TYLER	LOM		0.0
BYE		MCKENNA, TYLER	LOM
DURAN, DAMIAN	NIP		0.0
BYE		DURAN, DAMIAN	NIP
VAUGHN, KEVIN (4)	MON	F 3:15	3.0
BYE		VAUGHN, KEVIN (4)	MON
HERNANDEZ, AARI	ED		0.0
BYE		HERNANDEZ, AARI	ED

HOLMES, MATT	LEM	8 4	1.0
HOLMES, MATT	LEM	F 1:26	3.0
HOLMES, MATT	LEM	F 2:31	3.0
GARCIA, P	WB		0.0
COTTER, DJ (6)	STO	5 3	1.0
COTTER, DJ (6)	STO	8 0	2.0
COTTER, DJ (6)	STO	TF 17-2	2.5
COTTER, DJ (6)	STO	TF	3.5
AVALOS, DANIEL	EDI		0.0
SOTO, JUSTIN	SAN	F 1:40	3.0
SOTO, JUSTIN	SAN	7 2	1.0
WILLISON, COLE	BRE A	4 0	3.0
WILLISON, COLE	BRE A	TF	2.5
WILLISON, COLE	BRE A	F :26	3.0
WILLISON, COLE	BRE A	6 2	2.0
APREZA, MARVIN	AG		0.0
DEF			7.0
PARKER, BRETT	BUL		0.0
APREZA, MARVIN	AG		0.0
AMIAAMA, JC	EB		0.0
CERVANTES, DANI	GW		0.0
DEF			3.0
HALTERMAN, ABE	ATA	8 0	3.0
3rd			
HINOJOSA, ABRAH	FOO A	5 0	2.0
HINOJOSA, ABRAH	FOO A		0.0
BEECHUM, T	MB A	4 1	1.0
BEECHUM, T	MB A	F 3:50	3.0
MARTIN, BRYCE (8)	BAK	F 3:25	5.0
HERNANDEZ, AARI	ED	F 2:51	3.0
MARTIN, BRYCE (8)	BAK	14 0	3.0
HALTERMAN, ABE	ATA	16 4	6.0
MARTIN, BRYCE (8)	BAK		0.0
HALTERMAN, ABE	ATA		0.0
COTTER, DJ (6)	STO		0.0
HINOJOSA, ABRAH	FOO A	5 1	2.0
WILLISON, COLE	BRE A		0.0
MARTIN, BRYCE (8)	BAK		0.0

- 7th WILLISON, COLE BRE A
- 5th COTTER, DJ (6) STO
- 5th MARTIN, BRYCE (8) BAK
- DEF
- 4.0

Weight Class : 138 LBS.

CHEN, ROBBIE (1)	LG	4.0	CHEN, ROBBIE (1)	LG		
RYDER, RYAN	CNT B	0.0	CHEN, ROBBIE (1)	LG		
GAMBLE, JACOB	THE	F .50	4.0			
BYE						
FOSLIEN, AUSTIN	KC	0.0	CHEN, ROBBIE (1)	LG		
BYE			F 3:00	4.0		
DOMINGUEZ, ALEX	CNT	0.0	DOMINGUEZ, ALEX	CNT		
BYE			F 1:52	6.0		
DEMAREE, ASHTON	ED	0.0				
BYE			CHEN, ROBBIE (1)	LG		
RODRIGUEZ, CHRISTIAN	REE	0.0	F 2:32	7.0		
BYE						
HILL, J	LEM	0.0	HILL, J	LEM		
BYE			F 4:13	4.0		
RIO FRIO, JOSEPH (8)	FIR	0.0				
SANCHEZ, R	SAN	F 1:10	6.0			
APPLEBY, CODY (5)	PV	F 3:07	4.0	CHEN, ROBBIE (1)	LG	
BYE				8 1	11.0	
TIRADO, JACOB	KNG	0.0	APPLEBY, CODY (5)	PV		
CRUZ, JUAN	EB	TIRADO, JACOB	KNG	12 9	4.0	
DALEY, TARAN	SP	DALEY, TARAN	SP	17-1	3.5	
BYE				10 0	3.0	
CARMONA, GONZALO	CC	0.0	CARMONA, GONZALO	CC		
BYE			F 1:10	6.0		
FLEYCHER-MUNOZ, ANTHOI	LOM	0.0				
BYE			APPLEBY, CODY (5)	PV		
DOBBS, SVEN	BUL	0.0	DOBBS, SVEN	BUL		
BYE			10 7	4.0		
ALRED, ADAM	BRE A	0.0	SANTOS, D	ATA		
SANTOS, D	ATA	6 1	2.0			
MARQUEZ, ADRIAN (4)	COR A	12 2	3.0	SANTOS, D	ATA	
BYE			MARQUEZ, ADRIAN (4)	COR A	6 4	2.0
HERNANDEZ, RICHARD (3)	WU-A	0.0				
BYE			HERNANDEZ, RICHARD (3)	WU-A		
ESTRADA, JESUS	CAR	0.0	HERNANDEZ, RICHARD (3)	WU-A		
RODRIGUEZ, RICARDO	AG	F 1:09	6.0			
ENCISCO, JOSE	FOO A	10 4	2.0	HERNANDEZ, RICHARD (3)	WU-A	
BYE			F 1:27	4.0		
HAQ, ARMAN	FRK	0.0	HAQ, ARMAN	FRK		
BYE			5 4	4.0		
ELLENS, DALTON	MB A	0.0				
BYE			HERNANDEZ, RICHARD (3)	WU-A		
COLEGIO, EDDIE	FOW	0.0	F 1:26	7.0		
BYE						
GRIJALVA, DAVID	EDI	0.0	PETERSEN, CAMERON	SF-A		
PETERSEN, CAMERON	SF-A	PETERSEN, CAMERON	SF-A	4 0	2.0	
VIVEROS, AIDAN (6)	COR B	3 1	2.0			
BYE			F 3:52	4.0		
AMAZOLA, FELIPE (7)	MEN B	0.0				
THOMAS, T	CAB	THOMAS, T	CAB			
COLLISTER, J	CAN	F 3:45	4.0	COLLISTER, J	CAN	
BYE			TF 15-0	5.5		
SAELEE, TYLER	GW	0.0				
BYE			COLLISTER, J	CAN		
OUPATHAME, MATTHEW	MCL	0.0	F 3:34	4.0		
BYE						
MERELLE, SEBASTIAN	MIL	0.0	COLLISTER, J	CAN		
BYE			TF	6.5		
TELLEZ, ABRAHAM	OX	0.0	MERELLE, SEBASTIAN	MIL		
BYE			9 5	4.0		
GONZALEZ, EDUARDO	GV	0.0	ARROYO, CHILO (2)	REE		
BYE				0.0		
ARROYO, CHILO (2)	REE	0.0	ARROYO, CHILO (2)	REE		
RYAN, JOEY	MON	F 3:13	4.0			
BYE			F 1:31	4.0		

- 1st COLLISTER, J Canyon
- 2nd CHEN, ROBBIE (1) Los Gatos
- 3rd TIRADO, JACOB KINGSBURG
- 4th APPLEBY, CODY (5) Pioneer Valley
- 5th HERNANDEZ, RICHARD (3) Washington Union
- 6th RODRIGUEZ, CHRISTIAN Reedley
- 7th RYDER, RYAN Centennial B
- 8th SANTOS, D Atascadero

RYDER, RYAN	CNT B	0.0	RYDER, RYAN	CNT B						
BYE			F .58	4.0						
RODRIGUEZ, RICA	AG	0.0	RYDER, RYAN	CNT B						
BYE			F 4:14	3.0						
ENCISCO, JOSE	FOO A	0.0	RYDER, RYAN	CNT B						
BYE			F 1:15	3.0						
BYE			CARMONA, GONZA	CC						
COLEGIO, EDDIE	FOW	0.0								
BYE			RYDER, RYAN	CNT B						
RIO FRIO, JOSEPH	FIR	11 1	3.0	F 1:30	3.0					
BYE			COLEGIO, EDDIE	FOW						
VIVEROS, AIDAN (6)	COR B	13 5	3.0	RYDER, RYAN	CNT B					
BYE			DOBBS, SVEN	BUL	9 7	2.0				
CRUZ, JUAN	EB	CRUZ, JUAN	EB							
THOMAS, T	CAB	14 4	3.0	ARROYO, CHILO (2)	REE					
BYE			SAELEE, TYLER	GW						
BYE			F .46	4.0						
SAELEE, TYLER	GW	0.0	RODRIGUEZ, CHR	REE						
BYE			F 4:35	3.0	RODRIGUEZ, CHR	REE				
TELLEZ, ABRAHAM	OX	0.0	RODRIGUEZ, CHR	REE						
ALRED, ADAM	BRE A	0.0	12 10	1.0	RODRIGUEZ, CHR	REE				
BYE			5 3	1.0						
GONZALEZ, EDUARDO	GV	0.0	ALRED, ADAM	BRE A						
BYE			5 0	2.0	DOMINGUEZ, ALEX	CNT				
ESTRADA, JESUS	CAR	0.0	DOMINGUEZ, ALEX	CNT	9 0	2.0	APPLEBY, CODY (5)	PV		
BYE			GAMBLE, JACOB	THE			F 3:25	4.0		
GAMBLE, JACOB	THE	F 1:49	3.0	PETERSEN, CAMEI	SF-A			APPLEBY, CODY (5)	PV	
BYE			GAMBLE, JACOB	THE						
FOSLIEN, AUSTIN	KC	0.0	F 2:15	3.0						
BYE			MERELLE, SEBAST	MIL						
BYE			8 0	2.0						
DEMAREE, ASHTO	ED	0.0								
GRIJALVA, DAVID	EDI	0.0	GRIJALVA, DAVID	EDI						
BYE			11 2	2.0						
SANCHEZ, R	SAN	2 0	2.0	GRIJALVA, DAVID	EDI					
AMAZOLA, FELIPE	MEN B	0.0	OUPATHAME, MAT	MCL						
BYE			TIRADO, JACOB	KNG						
TIRADO, JACOB	KNG	F 2:08	3.0	SANTOS, D	ATA					
BYE			TIRADO, JACOB	KNG						
BYE			F .45	3.0						
DALEY, TARAN	SP	0.0	TIRADO, JACOB	KNG						
BYE			11 1	2.0						
BYE			ELLENS, DALTON	MB A						
FLEYCHER-MUNOZ	LOM	0.0								
BYE			TIRADO, JACOB	KNG						
RYAN, JOEY	MON	0.0	9 5	1.0						
BYE			F 1:02	3.0						
MARQUEZ, ADRIAN	COR A	F 4:30	4.0	RYAN, JOEY	MON					
BYE			8 0	2.0						
HAQ, ARMAN	FRK									
HILL, J	LEM									
RYDER, RYAN	CNT B									
SANTOS, D	ATA									
RYDER, RYAN	CNT B									
SANTOS, D	ATA									

Weight Class : 145 LBS.

MININNI, D (1)	MB A	0.0	MININNI, D (1)	MB A	0.0
BYE					
CAYABYAB, QUENTIN	LOM	0.0	MININNI, D (1)	MB A	0.0
MACK, J.D.	ATA	F 3:54	ATA	F 3:54	6.0
GOMEZ, AARON	FRO	F 4:55	FRO	F 4:55	4.0
BYE			GOMEZ, AARON	FRO	4.0
CORONA, OSCAR	FOO A	0.0	CORONA, OSCAR	FOO A	0.0
BYE			CORONA, OSCAR	FOO A	7 4 4.0
TORO, JAMES	WB	0.0			
BYE			TORO, JAMES	WB	0.0
CHAVARRIA, ADAM	NIP	0.0	FIDDLER, CHASE	CNT	0.0
FIDDLER, CHASE	CNT	F 5 4	CNT	F 5 4	2.0
CHIU, J	SLO	TF 16-0	SLO	TF 16-0	3.5
CHAVEZ, JOSEPH	MIL	F 1:45	MIL	F 1:45	4.0
ROBLES, ABEL (8)	SL	F 1:45	SL	F 1:45	4.0
BYE			ROBLES, ABEL (8)	SL	13 5 5.0
POPE, ERIC (5)	MC	0.0			
BYE			POPE, ERIC (5)	MC	0.0
ROJAS, JOSE	MCL	0.0	POPE, ERIC (5)	MC	0.0
THOMAS, JESSE	SF-A	F 3:31	SF-A	F 3:31	6.0
CARRILLO, NACHO	IND	F 5:10	IND	F 5:10	4.0
BYE			CARRILLO, NACHO	IND	4.0
MAHONEY, T	SJ	F 1:31	SJ	F 1:31	4.0
FERRER, MIGUEL	CAR	F 1:56	CAR	F 1:56	6.0
VERA, ADRIAN	PV	0.0			
BYE			VERA, ADRIAN	PV	0.0
RYNDERS, COLE	THE	0.0	VERA, ADRIAN	PV	0.0
STILLON, M	FRO B	F 10 4	FRO B	F 10 4	4.0
HANSEN, PAUL	GW	F 1:50	GW	F 1:50	4.0
BYE			HANSEN, PAUL	GW	4.0
OSUNDE, OSUMYUIMEN (4)	LEM	0.0	OSUNDE, OSUMYUIMEN (4)	LEM	0.0
DIMANNO, N	FRK	F 1:40	FRK	F 1:40	4.0
FIGUEROA, FRANCISCO (3)	MEN	F 1:40	MEN	F 1:40	4.0
MORENO, M	CAB	F 8 5	CAB	F 8 5	2.0
MINTON, ZACH	THE	F 5:03	THE	F 5:03	4.0
BYE			MINTON, ZACH	THE	4.0
SNYDER, CHAD	AG	0.0			
BYE			SNYDER, CHAD	AG	0.0
BENEDETTA, MICHAEL	ED	0.0	SNYDER, CHAD	AG	0.0
COMBS, DAVID	BUL	F 1:21	BUL	F 1:21	6.0
LOPEZ, D	LEM B	F 5:50	LEM B	F 5:50	4.0
BYE			LOPEZ, D	LEM B	4.0
GUNSALUS, ROSS	SF-B	0.0	LOPEZ, D	LEM B	8 3 4.0
LEE, ANDREW	CNT B	8 7	CNT B	8 7	2.0
QUEVEDO, MARCO	REE	8 7	REE	8 7	2.0
BYE			QUEVEDO, MARCO	REE	2.0
QUINTERO, LUIS (6)	KC	0.0	QUINTERO, LUIS (6)	KC	0.0
COWAN, T	MB B	F 1:44	MB B	F 1:44	4.0
FIERRO, AJ (7)	BAK	F 1:45	BAK	F 1:45	4.0
LINN, NICK	BRE B	F 1:30	BRE B	F 1:30	4.0
ZAVALA, EDWIN	STO	F 4:49	STO	F 4:49	4.0
BYE			ZAVALA, EDWIN	STO	4.0
SKILES, ETHAN	MON	0.0			
BYE			SKILES, ETHAN	MON	0.0
HINOJOSA, WILIAM	WU-A	0.0	SKILES, ETHAN	MON	7 5 4.0
BANDUCCI, KENDALL	GV	7 5	GV	7 5	4.0
LYON, ZACH	SP	F 1:45	SP	F 1:45	4.0
BYE			LYON, ZACH	SP	4.0
MARTINEZ, DAVID	FIR	0.0	MCCRAKEN, NICK	SAN	0.0
MCCRAKEN, NICK	SAN	F :52	SAN	F :52	4.0
FRASER, KAI	SGO	F :32	SGO	F :32	4.0
BYE			FRASER, KAI	SGO	4.0
DUCHENE, SAM (2)	SV	F :47	SV	F :47	4.0
CREED, JAMES	LG	F 4:23	LG	F 4:23	4.0

MININNI, D (1)	MB A	4.0			
F 1:40					
MININNI, D (1)	MB A	5.0			
8 3					
ROBLES, ABEL (8)	SL	2.0			
6 4					
OSUNDE, OSUMYUIMEN (4)	LEM	11.0			
10 5					
FERRER, MIGUEL	CAR	4.0			
F 5:20					
OSUNDE, OSUMYUIMEN (4)	LEM	7.0			
F 5:12					
OSUNDE, OSUMYUIMEN (4)	LEM	2.0			
6 0					
QUINTERO, LUIS (6)	KC	4.0			
10 7 1st					
QUINTERO, LUIS (6)	KC	6.5			
TF 2:10					
QUINTERO, LUIS (6)	KC	11.0			
1 0					
FIERRO, AJ (7)	BAK	4.0			
F 1:20					
FIERRO, AJ (7)	BAK	5.0			
7 6					

- 1st QUINTERO, LUIS (6) King City
- 2nd OSUNDE, OSUMYUIMEN (4) Lemoore
- 3rd DUCHENE, SAM (2) Simi Valley
- 4th ROBLES, ABEL (8) San Leandro
- 5th MININNI, D (1) Morro Bay
- 6th FIERRO, AJ (7) Bakersfield
- 7th CORONA, OSCAR Foothill
- 8th TORO, JAMES WEST - BAKERSFIELD

BYE					
CAYABYAB, QUEN	LOM	0.0	CAYABYAB, QUEN	LOM	0.0
BYE			MINTON, ZACH	THE	8 0 3.0
BYE			COMBS, DAVID	BUL	0.0
COMBS, DAVID	BUL	0.0	COMBS, DAVID	BUL	0.0
BYE			POPE, ERIC (5)	MC	0.0
CHAVARRIA, ADAM	NIP	0.0	CHAVARRIA, ADAM	NIP	0.0
GUNSALUS, ROSS	SF-B	2 1	SF-B	2 1	2.0
CHIU, J	SLO	9 5	SLO	9 5	1.0
BYE			CHIU, J	SLO	1.0
QUEVEDO, MARCO	REE	F :35	REE	F :35	4.0
BYE			VERA, ADRIAN	PV	0.0
ROJAS, JOSE	MCL	0.0	VERA, ADRIAN	PV	7 4 1.0
BYE			VERA, ADRIAN	PV	6 3 1.0
ZAVALA, EDWIN	STO	F 4:27	STO	F 4:27	3.0
BYE			HINOJOSA, WILIAM	WU-A	13 3 2.0
MAHONEY, T	SJ	13 3	SJ	13 3	2.0
BYE			HINOJOSA, WILIAM	WU-A	2:04 3.0
RYNDERS, COLE	THE	0.0	FIDDLER, CHASE	CNT	0.0
BYE			FIDDLER, CHASE	CNT	0.0
LYON, ZACH	SP	F 1:24	SP	F 1:24	3.0
BYE			FRASER, KAI	SGO	4 0 1.0
DIMANNO, N	FRK	0.0	FRASER, KAI	SGO	4 0 1.0
BYE			FRASER, KAI	SGO	12 7 1.0
FRASER, KAI	SGO	12 7	SGO	12 7	1.0
MORENO, M	CAB	0.0	CORONA, OSCAR	FOO A	0.0
BYE			CORONA, OSCAR	FOO A	5 0 1.0
MORENO, M	CAB	0.0	MACK, J.D.	ATA	8 3 1.0
BYE			MACK, J.D.	ATA	8 3 1.0
MACK, J.D.	ATA	TF 5:00	ATA	TF 5:00	2.5
BENEDETTA, MICH	ED	0.0	GOMEZ, AARON	FRO	0.0
BYE			GOMEZ, AARON	FRO	F 1:05 3.0
GOMEZ, AARON	FRO	F 1:05	FRO	F 1:05	3.0
LEE, ANDREW	CNT B	0.0	MCCRAKEN, NICK	SAN	0.0
BYE			MCCRAKEN, NICK	SAN	0.0
TORO, JAMES	WB	12 1	WB	12 1	2.0
BYE			TORO, JAMES	WB	15 11 1.0
COWAN, T	MB B	0.0	CHAVEZ, JOSEPH	MIL	0.0
BYE			CHAVEZ, JOSEPH	MIL	F 4:45 3.0
LINN, NICK	BRE B	0.0	SKILES, ETHAN	MON	0.0
BYE			SKILES, ETHAN	MON	0.0
THOMAS, JESSE	SF-A	F 1:35	SF-A	F 1:35	3.0
BYE			THOMAS, JESSE	SF-A	3.0
BANDUCCI, KENDALL	GV	10 2	GV	10 2	2.0
BYE			BANDUCCI, KENDALL	GV	0.0
CARRILLO, NACHO	IND	5 1	IND	5 1	2.0
BYE			LOPEZ, D	LEM B	8 3 1.0
MARTINEZ, DAVID	FIR	0.0	LOPEZ, D	LEM B	8 3 1.0
BYE			STILLON, M	FRO B	TF 3:53 2.5
STILLON, M	FRO B	TF 3:53	FRO B	TF 3:53	2.5
BYE			STILLON, M	FRO B	8 0 2.0
CREED, JAMES	LG	0.0	SNYDER, CHAD	AG	8 7 1.0
BYE			SNYDER, CHAD	AG	8 7 1.0
HANSEN, PAUL	GW	11 2	AG	11 2 3.0	

COMBS, DAVID	BUL	3.0			
F 3:40					
VERA, ADRIAN	PV	1.0			
7 4					
DUCHENE, SAM (2)	SV	4.0			
F 2:45					
DUCHENE, SAM (2)	SV	4.0			
14 3					
DUCHENE, SAM (2)	SV	6.0			
TF 3:40					
FIGUEROA, FRANCISCO (3)	MEN	0.0			
MININNI, D (1)	MB A	0.0			
MACK, J.D.	ATA	9 4 1.0			
9 4					
TORO, JAMES	WB	8 5 1.0			
8 5					
DUCHENE, SAM (2)	SV	4.0			
F 2:30					
TORO, JAMES	WB	3.0			
TF 2:30					
DUCHENE, SAM (2)	SV	6.0			
19 8					
MININNI, D (1)	MB A	0.0			
MACK, J.D.	ATA	8 3 1.0			
8 3					
DUCHENE, SAM (2)	SV	4.0			
F 2:30					
TORO, JAMES	WB	3.0			
TF 2:30					
DUCHENE, SAM (2)	SV	5.0			
5 3					
ROBLES, ABEL (8)	SL	3.0			
7 2					
ROBLES, ABEL (8)	SL	5.0			
5 3					
ROBLES, ABEL (8)	SL	0.0			
16 7					
FIERRO, AJ (7)	BAK	0.0			
3 2					

QUINTERO, LUIS (6)	KC	4.0			
10 7 1st					
QUINTERO, LUIS (6)	KC	6.5			
TF 2:10					
QUINTERO, LUIS (6)	KC	11.0			
1 0					
FIERRO, AJ (7)	BAK	5.0			
7 6					

Weight Class : 152 LBS.

MARTINEZ, ISAIAH (1)	LEM	0.0				
WADDELL, JAZZ	MCL	0.0	MARTINEZ, ISAIAH (1)	LEM	4.0	
WEIR, D	SLO	F 3:00	MARTINEZ, ISAIAH (1)	LEM	4.0	
BYE			WEIR, D	SLO	F 1:50	
FREELAND, WILL	COA	0.0				
BYE			FREELAND, WILL	COA	0.0	
BRADDOCK, AUSTIN	SV B	0.0	BRADDOCK, AUSTIN	SV B	6.0	
BYE			BRADDOCK, AUSTIN	SV B	F 1:27	
CASTILLO, JACOB	BRE B	0.0				
ESTRADA, ADAM	BUL	0.0	CASTILLO, JACOB	BRE B	7.0	
SEGURA, EDGER	MEN	10 0	3.0	CASTILLO, JACOB	BRE B	F 4:35
BYE			SEGURA, EDGER	MEN	F 1:59	
RANGEL, ISAAC	FIR	0.0				
BYE			RANGEL, ISAAC	FIR	0.0	
TREJO, MIGUEL (8)	WB	0.0	RANGEL, ISAAC	FIR	0.0	
ELMORE, KEVIN	SF-B	4 0	4.0			
WINDES, DARRIN (5)	BRE A	F .51	4.0			
WHITE, LEVI	CNT	0.0	WINDES, DARRIN (5)	BRE A	13.0	
BARNETT, DILLON	GW	F 3:49	4.0			
BYE			BARNETT, DILLON	GW	F 2:16	
SILVA, BRANDON	EB	0.0				
CRUZ, JUNIOR	AG	0.0	WINDES, DARRIN (5)	BRE A	F 4:26	
TREVINO, JR	LB	F 2:50	4.0			
BYE			SILVA, BRANDON	EB	F 1:23	
DELEON, C	MB A	0.0				
BYE			DELEON, C	MB A	0.0	
LOPEZ, EDDIE	GV	0.0	DELEON, C	MB A	0.0	
PALAFOX, BRANDON	FOO A	13 7	4.0			
ROBLES, RICKY	IND	12 5	2.0	GASVODA, RYAN (4)	LG	15 2
BYE			ROBLES, RICKY	IND	3.0	
GASVODA, RYAN (4)	LG	0.0	GASVODA, RYAN (4)	LG	0.0	
LYNES, S	CAB	0.0	GASVODA, RYAN (4)	LG	TF 16-0	
MIDDLEBROOKS, MICHAEL (LBP	8 0	3.0			
KING, CONNOR	FRK	0.0	MIDDLEBROOKS, MICHAEL (LBP	5.5	
OLMOS, JUAN	CAR	14 4	3.0	MIDDLEBROOKS, MICHAEL (LBP	TF 1st
BYE			OLMOS, JUAN	CAR	F .58	
HERNANDEZ, MICHAEL	PAR	0.0				
BYE			HERNANDEZ, MICHAEL	PAR	7 1	
FOSLIEN, BRYCE	KC	0.0	HERNANDEZ, MICHAEL	PAR	2.0	
BYE			FOSLIEN, BRYCE	KC	F 1:14	
CALDERA, R	OX	0.0				
BYE			CALDERA, R	OX	0.0	
SMITH, CONNOR	SV	0.0	SMITH, CONNOR	SV	7.0	
JEW, YURI	SL	0.0	SMITH, CONNOR	SV	F 3:59	
MULDOON, MATT	PV	F .23	4.0			
BYE			MULDOON, MATT	PV	F 2:50	
AGUILAR, ALEXIS (6)	COR A	0.0	MULDOON, MATT	PV	4.0	
FIELDSTEAD, LIAM	MC	0.0	AGUILAR, ALEXIS (6)	COR A	F 1:58	
HOBBS, BJ (7)	WU-A	F 3:28	4.0			
ELISARRARAZ, JORGE	SAN	0.0	ELISARRARAZ, JORGE	SAN	0.0	
LUNA, CHRIS	SGO	F 1:32	4.0			
BYE			LUNA, CHRIS	SGO	F 2:22	
LEYPON, BRIAN	MON	0.0				
EVANS, JAKE	NIP	0.0	LEYPON, BRIAN	MON	11 2	
PADILLA, ENRIQUE	ED	F 5:32	4.0			
BYE			PADILLA, ENRIQUE	ED	14 3	
MONETJO, CARLOS	FRO	0.0				
BYE			MONETJO, CARLOS	FRO	0.0	
MARTINEZ, T	MB B	0.0	MONETJO, CARLOS	FRO	0.0	
BYE			MARTINEZ, T	MB B	F 5:16	
TEIXERA, C	SJ	0.0				
BYE			TEIXERA, C	SJ	0.0	
BARAJAS, JORGE (2)	SF-A	0.0	BARAJAS, JORGE (2)	SF-A	0.0	
CARRILLO, ISMAEL	LOM	F .51	4.0	BARAJAS, JORGE (2)	SF-A	F .39

MARTINEZ, ISAIAH (1)	LEM	4.0			
BYE					
WEIR, D	SLO	F 1:50			
BYE					
CASTILLO, JACOB	BRE B	4.0			
BYE					
MARTINEZ, ISAIAH (1)	LEM	7.0			
BYE					
MARTINEZ, ISAIAH (1)	LEM	13.0			
BYE					
GASVODA, RYAN (4)	LG	6.5			
BYE					
GASVODA, RYAN (4)	LG	3.0			
BYE					
MARTINEZ, ISAIAH (1)	LEM	5.5			
BYE					
MIDDLEBROOKS, MICHAEL (LBP	2.0			
BYE					
MIDDLEBROOKS, MICHAEL (LBP	7.0			
BYE					
BARAJAS, JORGE (2)	SF-A	11.0			
BYE					
BARAJAS, JORGE (2)	SF-A	7.0			
BYE					
BARAJAS, JORGE (2)	SF-A	4.0			

- 1st MARTINEZ, ISAIAH (1) Lemoore
- 2nd BARAJAS, JORGE (2) Saint Francis
- 3rd GASVODA, RYAN (4) Los Gatos
- 4th MIDDLEBROOKS, MICHAEL LONG BEACH POLY
- 5th BRADDOCK, AUSTIN Simi Valley E
- 6th WINDES, DARRIN (5) Brea Olinda
- 7th CASTILLO, JACOB Brea Olinda E
- 8th DELEON, C Morro Bay

WADDELL, JAZZ	MCL	0.0				
BYE			WADDELL, JAZZ	MCL	0.0	
BYE			WADDELL, JAZZ	MCL	14 0	
BYE			WADDELL, JAZZ	MCL	0.0	
OLMOS, JUAN	CAR	F .45	4.0			
BYE			OLMOS, JUAN	CAR	0.0	
FOSLIEN, BRYCE	KC	0.0				
BYE			FOSLIEN, BRYCE	KC	0.0	
ESTRADA, ADAM	BUL	0.0	SILVA, BRANDON	EB	0.0	
BYE			ESTRADA, ADAM	BUL	10 6	
BYE			ESTRADA, ADAM	BUL	2.0	
CALDERA, R	OX	0.0				
BYE			CALDERA, R	OX	0.0	
TREJO, MIGUEL (8)	WB	0.0	AGUILAR, ALEXIS (COR A	3.0	
BYE			TREJO, MIGUEL (8)	WB	F 3:30	
AGUILAR, ALEXIS (COR A	F 1:45	3.0	DELEON, C	MB A	F 1:45
WHITE, LEVI	CNT	0.0				
BYE			WHITE, LEVI	CNT	0.0	
LUNA, CHRIS	SGO	F .33	3.0			
CRUZ, JUNIOR	AG	0.0	LUNA, CHRIS	SGO	0.0	
BYE			CRUZ, JUNIOR	AG	F .46	
PADILLA, ENRIQUE	ED	10 4	1.0			
BYE			PADILLA, ENRIQUE	ED	0.0	
LOPEZ, EDDIE	GV	0.0	RANGEL, ISAAC	FIR	0.0	
BYE			LOPEZ, EDDIE	GV	0.0	
MARTINEZ, T	MB B	F 3:50	4.0			
LYNES, S	CAB	0.0	TEIXERA, C	SJ	1.0	
BYE			LYNES, S	CAB	7 0	
TEIXERA, C	SJ	10 5	1.0	BRADDOCK, AUSTI	SV B	F 1:45
KING, CONNOR	FRK	0.0	BRADDOCK, AUSTI	SV B	0.0	
BYE			KING, CONNOR	FRK	0.0	
WEIR, D	SLO	7 6	1.0			
BYE			WEIR, D	SLO	F 1:30	
BYE			WEIR, D	SLO	4 2	
FREELAND, WILL	COA	0.0	MONETJO, CARLO	FRO	0.0	
BYE			FREELAND, WILL	COA	0.0	
JEW, YURI	SL	0.0				
BYE			JEW, YURI	SL	0.0	
SEGURA, EDGER	MEN	F 1:52	3.0			
BYE			SEGURA, EDGER	MEN	17 4	
FIELDSTEAD, LIAM	MC	0.0	ELMORE, KEVIN	SF-B	3.0	
BYE			FIELDSTEAD, LIAM	MC	0.0	
ELMORE, KEVIN	SF-B	F 4:15	3.0	LEYPON, BRIAN	MON	4 2
HOBBS, BJ (7)	WU-A	0.0				
BYE			HOBBS, BJ (7)	WU-A	0.0	
BARNETT, DILLON	GW	F 2:12	4.0			
EVANS, JAKE	NIP	0.0	HOBBS, BJ (7)	WU-A	11 5	
BYE			EVANS, JAKE	NIP	0.0	
TREVINO, JR	LB	F .55	4.0			
BYE			TREVINO, JR	LB	5 2	
BYE			MULDOON, MATT	PV	0.0	
BYE			MULDOON, MATT	PV	0.0	
PALAFOX, BRANDC	FOO A	0.0				
BYE			PALAFOX, BRANDC	FOO A	0.0	
CARRILLO, ISMAEL	LOM	14 6	3.0			
BYE			CARRILLO, ISMAEL	LOM	0.0	
ROBLES, RICKY	IND	6 5	2.0			
BYE			ROBLES, RICKY	IND	0.0	
HERNANDEZ, MICHAEL	PAR	0.0				
BYE			HERNANDEZ, MICHAEL	PAR	0.0	

WADDELL, JAZZ	MCL	1.0			
BYE					
WADDELL, JAZZ	MCL	8 3	1.0		
BYE			WADDELL, JAZZ	MCL	0.0
DELEON, C	MB A	12 7	1.0		
BYE			DELEON, C	MB A	0.0
DELEON, C	MB A	F 1:36	4.0		
BYE			DELEON, C	MB A	0.0
ELISARRARAZ, JOE	SAN	0.0			
BYE			ELISARRARAZ, JOE	SAN	0.0
BRADDOCK, AUSTI	SV B	F 3:00	5.0		
BYE			BRADDOCK, AUSTI	SV B	0.0
GASVODA, RYAN (LG	2 0	5.0		
BYE			GASVODA, RYAN (LG	0.0
GASVODA, RYAN (LG	5 0	2.0		
BYE			GASVODA, RYAN (LG	0.0
GASVODA, RYAN (LG	5 0	2.0		
BYE			GASVODA, RYAN (LG	0.0
WINDES, DARRIN (BRE A	F 2:10	4.0		
BYE			WINDES, DARRIN (BRE A	0.0
WINDES, DARRIN (BRE A	6 5	3.0		
BYE			WINDES, DARRIN (BRE A	0.0
HOBBS, BJ (7)	WU-A	16 8	2.0		
BYE			HOBBS, BJ (7)	WU-A	0.0
CASTILLO, JACOB	BRE B	F 4:02	4.0		
BYE			CASTILLO, JACOB	BRE B	0.0
MIDDLEBROOKS, M	LBP	3 2	5.0		
BYE			MIDDLEBROOKS, M	LBP	0.0
BRADDOCK, AUSTI	SV B	0.0			
BYE			BRADDOCK, AUSTI	SV B	0.0
BRADDOCK, AUSTI	SV B	F 2:35	4.0		
BYE			BRADDOCK, AUSTI	SV B	0.0
WINDES, DARRIN (BRE A	F 4:15	4.0		
BYE			WINDES, DARRIN (BRE A	0.0

Weight Class : 160 LBS.

HOPKINS, SAM (1)	SF-A	HOPKINS, SAM (1)	SF-A
GONZALES, DREW	GW	HOPKINS, SAM (1)	SF-A
OWENS, ALEX	LG	F 1:15	4.0
BYE		OWENS, ALEX	LG
BYE	0		0.0
BYE		BYE	0
WONG, JACKIE	SL	WONG, JACKIE	SL
BYE		WONG, JACKIE	SL
GUZMAN, JOE	COR A		0.0
BYE		GUZMAN, JOE	COR A
MATA, ISAAC	HIG	MATA, ISAAC	HIG
GARCIA, C	REE	MATA, ISAAC	HIG
RIOS, C	CB	F 1:45	4.0
PAMATZ, I	KC	RIOS, C	CB
OUT - HARROUN, DILLON (8)	THE	F :42	4.0
BYE		OUT - HARROUN, DILLON (8)	THE
BURCHFIELD, SETH (5)	ATA		0.0
BYE		BURCHFIELD, SETH (5)	ATA
THOMAS, JACOB	LB	BURCHFIELD, SETH (5)	ATA
PEREZ, DANNY	FIR	FIR 7 4	4.0
CERVANTES, JOSE	CC	F 5:40	4.0
BYE		CERVANTES, JOSE	CC
BREWER, KENNY	MIL		0.0
BYE		BREWER, KENNY	MIL
TOVAR, MARTIN	LBP		0.0
BYE		TOVAR, MARTIN	LBP
HARPER, DJ	FRK		0.0
BYE		HARPER, DJ	FRK
HUMPHREY, BRYCONE	ED		0.0
BYE		HUMPHREY, BRYCONE	ED
MARTINEZ, JAIME (4)	LEM		0.0
AVILA, MICHAEL	EB	MARTINEZ, JAIME (4)	LEM
LUNA, CESAR (3)	WB	F 3:11	4.0
HERNANDEZ, J	SLO	LUNA, CESAR (3)	WB
FOWLER, C	NIP	F :51	4.0
BYE		FOWLER, C	NIP
STUCKEY, KALVIN	BUL		0.0
BYE		STUCKEY, KALVIN	BUL
SHEPHERD, KYLE	FRO		0.0
BYE		SHEPHERD, KYLE	FRO
DURON, STEVEN	SV		0.0
BYE		DURON, STEVEN	SV
PINEDA, VICTOR	MON		0.0
BYE		PINEDA, VICTOR	MON
EAST, JAKE	BAK		0.0
CHAVEZ, CARLOS	AG	EAST, JAKE	BAK
BEECHAM, K (6)	MB A	F 1:53	4.0
BYE		BEECHAM, K (6)	MB A
WORTH, ANDREW (7)	STO		0.0
BYE		WORTH, ANDREW (7)	STO
GERSHMAN, ZACH	SP		0.0
SALGADO, RUDY	PV		0.0
BYE		SALGADO, RUDY	PV
STRONG, TYLER	MC		0.0
BYE		STRONG, TYLER	MC
LINN, ALEX	BRE A		0.0
BYE		LINN, ALEX	BRE A
JENKINS, JAKE	BRE A		0.0
BYE		JENKINS, JAKE	BRE A
RODRIGUEZ, MICHAEL	LOM		0.0
POTTER, BILLAIN	CAR		0.0
TERRONES, JOSUE (2)	WU-A	F 1:22	4.0
BYE		TERRONES, JOSUE (2)	WU-A

HOPKINS, SAM (1)	SF-A		
F :12	4.0		
HOPKINS, SAM (1)	SF-A		
8 2	5.0		
OUT - HARROUN, DILLON (8)	THE		
F 3:20	4.0		
HOPKINS, SAM (1)	SF-A		
F	13.0		
BREWER, KENNY	MIL		
F 5:19	4.0		
BREWER, KENNY	MIL		
6 4	5.0		
MARTINEZ, JAIME (4)	LEM		
6 5	2.0		
MARTINEZ, JAIME (4)	LEM		
F 3:50	4.0		
LUNA, CESAR (3)	WB		
F 1:35	4.0		
SHEPHERD, KYLE	FRO		
9 3	4.0		
LUNA, CESAR (3)	WB		
F 1:00	7.0		
BEECHAM, K (6)	MB A		
F 3:45	4.0		
TERRONES, JOSUE (2)	WU-A		
6 1	11.0		
WORTH, ANDREW (7)	STO		
F 3:13	4.0		
TERRONES, JOSUE (2)	WU-A		
14 3	6.0		
TERRONES, JOSUE (2)	WU-A		
F 3:02	4.0		

- 1st HOPKINS, SAM (1) Saint Francis
- 2nd TERRONES, JOSUE (2) Washington Union
- 3rd LUNA, CESAR (3) WEST - BAKERSFIELD
- 4th BEECHAM, K (6) Morro Bay
- 5th MARTINEZ, JAIME (4) Lemoore
- 6th BREWER, KENNY Millikar
- 7th WORTH, ANDREW (7) Stockdale
- 8th OUT - HARROUN, DILLON (8) Tehachapi

GONZALES, DREW	GW		
BYE		GONZALES, DREW	GW
		FOWLER, C	NIP
		F 4:05	3.0
BYE		BYE	
		STUCKEY, KALVIN	BUL
		F 1:37	4.0
		STUCKEY, KALVIN	BUL
		9 5	1.0
		BURCHFIELD, SETI	ATA
GARCIA, C	REE	GARCIA, C	REE
		PINEDA, VICTOR	MON
		F :38	3.0
PAMATZ, I	KC		
BYE		PAMATZ, I	KC
		EAST, JAKE	BAK
		F :35	3.0
		TOVAR, MARTIN	LBP
		3 2	1.0
BYE		EAST, JAKE	BAK
		F 1:12	3.0
THOMAS, JACOB	LB	THOMAS, JACOB	LB
		THOMAS, JACOB	LB
		GERSHMAN, ZACH	SP
		F 1:55	4.0
BYE		BYE	
		STRONG, TYLER	MC
		7 3	2.0
		STRONG, TYLER	MC
		0.0	
		MATA, ISAAC	HIG
		LINN, ALEX	BRE A
		LINN, ALEX	BRE A
		F 1:40	3.0
AVILA, MICHAEL	EB	AVILA, MICHAEL	EB
		9 1	3.0
		LINN, ALEX	BRE A
		8 3	1.0
		POTTER, BILLAIN	CAR
		F 3:40	3.0
HERNANDEZ, J	SLO		
BYE		HERNANDEZ, J	SLO
		HERNANDEZ, J	SLO
		7 3	2.0
		BYE	
		HERNANDEZ, J	SLO
		JENKINS, JAKE	BRE A
		F 2:00	4.0
		JENKINS, JAKE	BRE A
		JENKINS, JAKE	BRE A
		F :55	3.0
CHAVEZ, CARLOS	AG	CHAVEZ, CARLOS	AG
		14 6	2.0
BYE		CHAVEZ, CARLOS	AG
		RIOS, C	CB
		F 1:45	4.0
		SALGADO, RUDY	PV
		F 1:58	3.0
		MARTINEZ, JAIME	LEM
		F :59	4.0
		MARTINEZ, JAIME	LEM
		PEREZ, DANNY	FIR
		PEREZ, DANNY	FIR
		CERVANTES, JOSE	CC
		7 2	2.0
		CERVANTES, JOSE	CC
		DURON, STEVEN	SV
		3:25	1.0
		DURON, STEVEN	SV
		HARPER, DJ	FRK
		HARPER, DJ	FRK
RODRIGUEZ, MICH	LOM	RODRIGUEZ, MICH	LOM
		F :51	4.0
BYE		HUMPHREY, BRYC	ED
		F :41	3.0
		SHEPHERD, KYLE	FRO
		F 2:05	3.0

STUCKEY, KALVIN	BUL		
F 1:37	4.0		
STUCKEY, KALVIN	BUL		
9 5	1.0		
TOVAR, MARTIN	LBP		
5 4	1.0		
WORTH, ANDREW	STO		
6 3	2.0		
BEECHAM, K (6)	MB A		
5 3	3.0		
BEECHAM, K (6)	MB A		
3 0	5.0		
BEECHAM, K (6)	MB A		
3 0	5.0		
BREWER, KENNY	MIL		
LUNA, CESAR (3)	WB		
9 7	2.0		
MARTINEZ, JAIME	LEM		
F :59	4.0		
MARTINEZ, JAIME	LEM		
13 5	4.0		
SHEPHERD, KYLE	FRO		
5 2	1.0		
OUT - HARROUN, I	THE		
5 3	2.0		
LUNA, CESAR (3)	WB		
F 4:13	7.0		
WORTH, ANDREW	STO		
7th			
WORTH, ANDREW	STO		
DEF			
4.0			
BREWER, KENNY	MIL		
5th			
MARTINEZ, JAIME	LEM		
5 3	2.0		

L1			
L2			
L3			
L4			
L5			
L6			
L7			
LS			
LF			

Weight Class : 170 LBS.

HERNANDEZ, OSHMAR (1)	WU-A	0.0	BYE	0.0	BYE
DAWES, MICHAEL	COR A	0.0	DAWES, MICHAEL	0.0	DAWES, MICHAEL
MAEZ, C	MB A	F 1:00	MAEZ, C	6.0	MAEZ, C
LUGO, ERIK	GV	F 1:35	LUGO, ERIK	4.0	LUGO, ERIK
BYE			BYE		BYE
PADILLA, JOSE	SAN	0.0	PADILLA, JOSE	6.0	PADILLA, JOSE
BYE			BYE		BYE
ESTRADA, NED	SP	0.0	ESTRADA, NED	7.0	ESTRADA, NED
BYE			BYE		BYE
RYDBERG, BEN	AG	0.0	RYDBERG, BEN	6.0	RYDBERG, BEN
BYE			BYE		BYE
MENDOZA, JOSUE	NIP	0.0	MENDOZA, JOSUE	4.0	MENDOZA, JOSUE
BYE			BYE		BYE
AMIAMA, LUCAS (8)	EB	0.0	AMIAMA, LUCAS (8)	6.0	AMIAMA, LUCAS (8)
BYE			BYE		BYE
PARRAY, SAFIY (5)	CAL	0.0	PARRAY, SAFIY (5)	5.0	PARRAY, SAFIY (5)
BYE			BYE		BYE
FOSLIEN, TYLER	KC	0.0	FOSLIEN, TYLER	4.0	FOSLIEN, TYLER
BYE			BYE		BYE
CABALLERO, AARON	FIR	0.0	CABALLERO, AARON	4.0	CABALLERO, AARON
BYE			BYE		BYE
AMAYA, TONY	REE	0.0	AMAYA, TONY	4.0	AMAYA, TONY
BYE			BYE		BYE
HEINSOHN, JACOB	LB	0.0	HEINSOHN, JACOB	4.0	HEINSOHN, JACOB
BYE			BYE		BYE
PORTANOVA, JESSE	MIL	0.0	PORTANOVA, JESSE	6.0	PORTANOVA, JESSE
BYE			BYE		BYE
PETERSON, DOMINIC	SL	0.0	PETERSON, DOMINIC	4.0	PETERSON, DOMINIC
BYE			BYE		BYE
AHMED, ALI (4)	HIG	0.0	AHMED, ALI (4)	4.0	AHMED, ALI (4)
ROBINSON, GREGORY	EDI	F 1:40	ROBINSON, GREGORY	4.0	ROBINSON, GREGORY
WILSON, ELIJAH (3)	LBP	10 9	WILSON, ELIJAH (3)	2.0	WILSON, ELIJAH (3)
ROBLES, ANGEL	LEM	5 1	ROBLES, ANGEL	2.0	ROBLES, ANGEL
BYE			BYE		BYE
WEBB, LANDYN	IND	0.0	WEBB, LANDYN	2.0	WEBB, LANDYN
BYE			BYE		BYE
GONZALES, A	LOM	0.0	GONZALES, A	6.0	GONZALES, A
BYE			BYE		BYE
HOLMES, RYAN	STO	0.0	HOLMES, RYAN	5.0	HOLMES, RYAN
BYE			BYE		BYE
GONZALEZ, JOSEPH	FOO A	0.0	GONZALEZ, JOSEPH	6.0	GONZALEZ, JOSEPH
BYE			BYE		BYE
DANNY, MUJICA	SF-A	0.0	DANNY, MUJICA	2.0	DANNY, MUJICA
BYE			BYE		BYE
LARA, ANTHONY (6)	MCL	3 2	LARA, ANTHONY (6)	2.0	LARA, ANTHONY (6)
BYE			BYE		BYE
JOSH, BAILEY (7)	FRO	0.0	JOSH, BAILEY (7)	4.0	JOSH, BAILEY (7)
BYE			BYE		BYE
OROPEZA, AUGIE	BRE A	0.0	OROPEZA, AUGIE	4.0	OROPEZA, AUGIE
BYE			BYE		BYE
ASHJIAN, CAZ	BUL	0.0	ASHJIAN, CAZ	4.0	ASHJIAN, CAZ
BYE			BYE		BYE
GARZA, STEVEN	ED	0.0	GARZA, STEVEN	5.5	GARZA, STEVEN
BYE			BYE		BYE
CRUZ, DANIEL	MON	0.0	CRUZ, DANIEL	5.0	CRUZ, DANIEL
BYE			BYE		BYE
RODAS, JACOB	SM	0.0	RODAS, JACOB	5.0	RODAS, JACOB
BYE			BYE		BYE
HONEA, A	FRO B	0.0	HONEA, A	4.0	HONEA, A
LUGO, MATTHEW	WB	F 1:37	LUGO, MATTHEW	4.0	LUGO, MATTHEW
BANKS, JOEY (2)	FRK	4 2	BANKS, JOEY (2)	4.0	BANKS, JOEY (2)
BYE			BYE		BYE

HERNANDEZ, OSHMAR (1)	WU-A	7 2	HERNANDEZ, OSHMAR (1)	2.0	HERNANDEZ, OSHMAR (1)
BYE			BYE		BYE
ESTRADA, NED	SP	F 1:59	ESTRADA, NED	7.0	ESTRADA, NED
BYE			BYE		BYE
AMAYA, TONY	REE	F 1:15	AMAYA, TONY	4.0	AMAYA, TONY
BYE			BYE		BYE
AHMED, ALI (4)	HIG	F 3:23	AHMED, ALI (4)	7.0	AHMED, ALI (4)
BYE			BYE		BYE
AHMED, ALI (4)	HIG	F 1:00	AHMED, ALI (4)	4.0	AHMED, ALI (4)
BYE			BYE		BYE
WILSON, ELIJAH (3)	LBP	10 3	WILSON, ELIJAH (3)	2.0	WILSON, ELIJAH (3)
BYE			BYE		BYE
WILSON, ELIJAH (3)	LBP	7 3	WILSON, ELIJAH (3)	5.0	WILSON, ELIJAH (3)
BYE			BYE		BYE
LARA, ANTHONY (6)	MCL	3 2	LARA, ANTHONY (6)	2.0	LARA, ANTHONY (6)
BYE			BYE		BYE
ASHJIAN, CAZ	BUL	F 4:25	ASHJIAN, CAZ	4.0	ASHJIAN, CAZ
BYE			BYE		BYE
BANKS, JOEY (2)	FRK	4 3	BANKS, JOEY (2)	5.0	BANKS, JOEY (2)
BYE			BYE		BYE
BANKS, JOEY (2)	FRK	10 2	BANKS, JOEY (2)	3.0	BANKS, JOEY (2)
BYE			BYE		BYE
PARRAY, SAFIY (5)	CAL	F :40	PARRAY, SAFIY (5)	3.0	PARRAY, SAFIY (5)
BYE			BYE		BYE
PARRAY, SAFIY (5)	CAL	F 2:20	PARRAY, SAFIY (5)	3.0	PARRAY, SAFIY (5)
BYE			BYE		BYE
DANNY, MUJICA	SF-A	5 2	DANNY, MUJICA	2.0	DANNY, MUJICA
BYE			BYE		BYE
DANNY, MUJICA	SF-A	8 3	DANNY, MUJICA	1.0	DANNY, MUJICA
BYE			BYE		BYE
ASHJIAN, CAZ	BUL	14 4	ASHJIAN, CAZ	3.0	ASHJIAN, CAZ
BYE			BYE		BYE
ASHJIAN, CAZ	BUL	4 3	ASHJIAN, CAZ	3.0	ASHJIAN, CAZ
BYE			BYE		BYE
JOSH, BAILEY (7)	FRO	F 2:00	JOSH, BAILEY (7)	3.0	JOSH, BAILEY (7)
BYE			BYE		BYE
JOSH, BAILEY (7)	FRO	7 2	JOSH, BAILEY (7)	1.0	JOSH, BAILEY (7)
BYE			BYE		BYE
LARA, ANTHONY (6)	MCL	4 2	LARA, ANTHONY (6)	2.0	LARA, ANTHONY (6)
BYE			BYE		BYE
ASHJIAN, CAZ	BUL	6 2	ASHJIAN, CAZ	5.0	ASHJIAN, CAZ
BYE			BYE		BYE
ESTRADA, NED	SP		ESTRADA, NED		ESTRADA, NED
BYE			BYE		BYE
RODAS, JACOB	SM	3 2	RODAS, JACOB	1.0	RODAS, JACOB
BYE			BYE		BYE
RODAS, JACOB	SM	8 0	RODAS, JACOB	2.0	RODAS, JACOB
BYE			BYE		BYE
ASHJIAN, CAZ	BUL	12 6	ASHJIAN, CAZ	2.0	ASHJIAN, CAZ
BYE			BYE		BYE
OROPEZA, AUGIE	BRE A	F 3:22	OROPEZA, AUGIE	3.0	OROPEZA, AUGIE
BYE			BYE		BYE
RODAS, JACOB	SM	F 4:45	RODAS, JACOB	4.0	RODAS, JACOB
BYE			BYE		BYE
AMAYA, TONY	REE		AMAYA, TONY		AMAYA, TONY
BYE			BYE		BYE
FOSLIEN, TYLER	KC	0.0	FOSLIEN, TYLER	4.0	FOSLIEN, TYLER
BYE			BYE		BYE
FOSLIEN, TYLER	KC	F 1:15	FOSLIEN, TYLER	4.0	FOSLIEN, TYLER
BYE			BYE		BYE
CABALLERO, AARON	FIR	0.0	CABALLERO, AARON	3.0	CABALLERO, AARON
BYE			BYE		BYE
HOLMES, RYAN	STO	F 3:37	HOLMES, RYAN	3.0	HOLMES, RYAN
BYE			BYE		BYE
HOLMES, RYAN	STO	7 4	HOLMES, RYAN	1.0	HOLMES, RYAN
BYE			BYE		BYE
LUGO, MATTHEW	WB	F :46	LUGO, MATTHEW	3.0	LUGO, MATTHEW
BYE			BYE		BYE
WEBB, LANDYN	IND	F 2:53	WEBB, LANDYN	3.0	WEBB, LANDYN
BYE			BYE		BYE
HERNANDEZ, OSHMAR (1)	WU-A		HERNANDEZ, OSHMAR (1)		HERNANDEZ, OSHMAR (1)
BYE			BYE		BYE
LARA, ANTHONY (6)	MCL		LARA, ANTHONY (6)		LARA, ANTHONY (6)
BYE			BYE		BYE
HOLMES, RYAN	STO	7 2	HOLMES, RYAN	2.0	HOLMES, RYAN
BYE			BYE		BYE
ESTRADA, NED	SP		ESTRADA, NED		ESTRADA, NED
BYE			BYE		BYE
WILSON, ELIJAH (3)	LBP	10 3	WILSON, ELIJAH (3)	2.0	WILSON, ELIJAH (3)

1st	BANKS, JOEY (2)	Franklin
2nd	AHMED, ALI (4)	HIGHLAND
3rd	ASHJIAN, CAZ	Bullard
4th	RODAS, JACOB	Santa Maria
5th	WILSON, ELIJAH (3)	LONG BEACH POLY
6th	ESTRADA, NED	South Pasadena
7th	HOLMES, RYAN	Stockdale
8th	LARA, ANTHONY (6)	Mclane

TENORIO, MICHAEL (1) FIR	0.0	TENORIO, MICHAEL (1) FIR	0.0
BYE			
BETANCOURT, N LEM	0.0	BETANCOURT, N LEM	0.0
BYE			
LORA, P FOO B	0.0	LORA, P FOO B	2.0
BYE			
GUIZAR, EDUARDO LBP	0.0	GUIZAR, EDUARDO LBP	0.0
BYE			
LINDERMAN, JASON IND	0.0	LINDERMAN, JASON IND	4.0
BYE			
LOPEZ, DIEGO FOO A	0.0	LOPEZ, DIEGO FOO A	2.0
BYE			
SCHREIN, SKYLER (8) MON	0.0	SCHREIN, SKYLER (8) MON	4.0
BYE			
MUTT, MATT (5) OX	0.0	MUTT, MATT (5) OX	3.0
BYE			
REFUOA, AARON SP	0.0	REFUOA, AARON SP	3.0
BYE			
MARTIN, DUSTIN SGO	0.0	MARTIN, DUSTIN SGO	0.0
BYE			
BROWN, GRANT BRE B	0.0	BROWN, GRANT BRE B	2.0
BYE			
URISTIGUI, GENARO CAR	0.0	URISTIGUI, GENARO CAR	0.0
BYE			
ADAM, J SJ	0.0	ADAM, J SJ	4.0
BYE			
MCSWAIN, KYLE SF-B	0.0	MCSWAIN, KYLE SF-B	0.0
BYE			
ROBINSON, ALEX (4) LG	0.0	ROBINSON, ALEX (4) LG	4.0
BYE			
GONZALEZ, GABRIEL (3) WU-A	0.0	GONZALEZ, GABRIEL (3) WU-A	0.0
BYE			
BERGSTROM, ALEC AG	0.0	BERGSTROM, ALEC AG	4.0
BYE			
LOCKHART, JULIAN GW	0.0	LOCKHART, JULIAN GW	3.0
BYE			
VIZCAYA, JOSH BRE A	0.0	VIZCAYA, JOSH BRE A	4.0
BYE			
GUSTIN, NICK FRK	0.0	GUSTIN, NICK FRK	0.0
BYE			
RECTOR, CHRIS BUL	0.0	RECTOR, CHRIS BUL	4.0
BYE			
CAMPBELL, ZABY ED	0.0	CAMPBELL, ZABY ED	0.0
BYE			
CARANZA, ENRIQUE (6) COR A	0.0	CARANZA, ENRIQUE (6) COR A	4.0
BYE			
KRIEGER, RANDALL (7) SL	0.0	KRIEGER, RANDALL (7) SL	0.0
BYE			
HERNANDEZ, A CB	0.0	HERNANDEZ, A CB	3.0
BYE			
JUAREZ, JESSIE LOM	0.0	JUAREZ, JESSIE LOM	0.0
BYE			
SAENZ, TOMMY NIP	0.0	SAENZ, TOMMY NIP	4.0
BYE			
BYE			
BYE			
GOLAN, PAUL SF-A	0.0	GOLAN, PAUL SF-A	0.0
BYE			
BYE			
OUT - DUCASSE, MATT (2) ATA	0.0	OUT - DUCASSE, MATT (2) ATA	0.0
BYE			

TENORIO, MICHAEL (1) FIR	6.0		
F 4:46			
TENORIO, MICHAEL (1) FIR	7.0		
F :59			
LOPEZ, DIEGO FOO A	2.0		
3 2			
MUTT, MATT (5) OX	2.0		
6 0			
MUTT, MATT (5) OX	7.0		
F 1:35			
ROBINSON, ALEX (4) LG	4.0		
F 3:45			
GONZALEZ, GABRIEL (3) WU-A	3.0		
14 2			
GONZALEZ, GABRIEL (3) WU-A	7.0		
F 1:20			
CARANZA, ENRIQUE (6) COR A	3.0		
13 2			
GONZALEZ, GABRIEL (3) WU-A	11.0		
6 1			
KRIEGER, RANDALL (7) SL	4.0		
F 1:45			
KRIEGER, RANDALL (7) SL	7.0		
DEF			
OUT - DUCASSE, MATT (2) ATA	6.0		
F 3:56			

1st	TENORIO, MICHAEL (1)	Firebaugh
2nd	GONZALEZ, GABRIEL (3)	Washington Union
3rd	KRIEGER, RANDALL (7)	San Leandro
4th	BROWN, GRANT	Brea Olinda E
5th	VIZCAYA, JOSH	Brea Olinda
6th	MUTT, MATT (5)	Oxnard
7th	ROBINSON, ALEX (4)	Los Gatos
8th	CARANZA, ENRIQUE (6)	Corcoran

BERGSTROM, ALEC AG	0.0	BERGSTROM, ALEC AG	0.0
BYE			
LOCKHART, JULIAN GW	1.0	LOCKHART, JULIAN GW	1.0
BYE			
LOCKHART, JULIAN GW	0.0	LOCKHART, JULIAN GW	0.0
BYE			
BROWN, GRANT BRE B	3.0	BROWN, GRANT BRE B	3.0
F 2:05			
BROWN, GRANT BRE B	3.0	BROWN, GRANT BRE B	3.0
F 2:22			
BROWN, GRANT BRE B	4.0	BROWN, GRANT BRE B	4.0
DEF			
ADAM, J SJ	3.0	ADAM, J SJ	3.0
F :15			
OUT - DUCASSE, M ATA			
HERNANDEZ, A CB	0.0	HERNANDEZ, A CB	0.0
BYE			
HERNANDEZ, A CB	2.5	HERNANDEZ, A CB	2.5
TF 17:0			
LINDERMAN, JASON IND	3.0	LINDERMAN, JASON IND	3.0
F 3:50			
LINDERMAN, JASON IND	3.0	LINDERMAN, JASON IND	3.0
F 1:47			
LORA, P FOO B	0.0	LORA, P FOO B	0.0
BYE			
CARANZA, ENRIQUE COR A	2.0	CARANZA, ENRIQUE COR A	2.0
9 2			
MUTT, MATT (5) OX	5.0	MUTT, MATT (5) OX	5.0
6 5			
GOLAN, PAUL SF-A	1.0	GOLAN, PAUL SF-A	1.0
7 1			
GUIZAR, EDUARDC LBP	1.0	GUIZAR, EDUARDC LBP	1.0
3 2			
KRIEGER, RANDAL SL	4.0	KRIEGER, RANDAL SL	4.0
F 5:31			
3rd			
GUIZAR, EDUARDC LBP	3.0	GUIZAR, EDUARDC LBP	3.0
F 1:45			
GUIZAR, EDUARDC LBP	3.0	GUIZAR, EDUARDC LBP	3.0
F 2:22			
ROBINSON, ALEX (LG	2.0	ROBINSON, ALEX (LG	2.0
10 3			
ROBINSON, ALEX (LG			
REFUOA, AARON SP	2.0	REFUOA, AARON SP	2.0
11 1			
REFUOA, AARON SP	1.0	REFUOA, AARON SP	1.0
6 4			
VIZCAYA, JOSH BRE A	3.0	VIZCAYA, JOSH BRE A	3.0
7 2			
KRIEGER, RANDAL SL	7.0	KRIEGER, RANDAL SL	7.0
F 2:35			
MCSWAIN, KYLE SF-B	3.0	MCSWAIN, KYLE SF-B	3.0
F 2:10			
VIZCAYA, JOSH BRE A	1.0	VIZCAYA, JOSH BRE A	1.0
7 3			
LOPEZ, DIEGO FOO A			
CARANZA, ENRIQUE COR A			
ROBINSON, ALEX (LG	5 3		
7th			
MUTT, MATT (5) OX			
5th			
VIZCAYA, JOSH BRE A	3 2		

OUT - JUAREZ, NARCISO (1) SAN
 MEZA, NICK PV
 WILEY, ZACK LG WILEY, ZACK LG 2 1 4.0
 HECHT, TYLER FRK F 1:11 4.0
 BYE HECHT, TYLER FRK
 POWERS-JONES, JOSH LOM 0.0 HECHT, TYLER FRK
 BYE POWERS-JONES, JOSH LOM 3 0 4.0
 PRICE, RAYMOND LBP 0.0
 BYE PRICE, RAYMOND LBP
 GARCIA, CHRISTIAN REE 0.0 PRICE, RAYMOND LBP
 BYE GARCIA, CHRISTIAN REE 3 2 4.0
 MEZA, ADONAY MON 0.0 COX, JAMES (8) MIL
 BYE MEZA, ADONAY MON 2 1 2.0
 COX, JAMES (8) MIL 0.0 COX, JAMES (8) MIL F 1:01 6.0
 BYE COX, JAMES (8) MIL
 SUNDA, A (5) CAN 0.0
 BYE SUNDA, A (5) CAN
 WESSEL, T ATA 0.0 SUNDA, A (5) CAN F 2:58 6.0
 BYE WESSEL, T ATA
 SALAZAR, BRENDEN ED 0.0 SUNDA, A (5) CAN F :58 4.0
 BYE SALAZAR, BRENDEN ED
 GUERRA, RUBEN LB 0.0 SALAZAR, BRENDEN ED F :33 6.0
 BYE GUERRA, RUBEN LB
 DIAZ, CHRISTIAN COA 0.0 SUNDA, A (5) CAN F 2:50 7.0
 BYE DIAZ, CHRISTIAN COA
 ORIBIO, JOSE CAR 0.0 DIAZ, CHRISTIAN COA F 6:33 6.0
 BYE ORIBIO, JOSE CAR
 COATES, 285 MB A 0.0 DHALIWAL, G (4) FOW F 1:30 4.0
 BYE COATES, 285 MB A
 DHALIWAL, G (4) FOW 0.0 DHALIWAL, G (4) FOW F 3:10 6.0
 BYE DHALIWAL, G (4) FOW
 POPEK, JOHN (3) FRO 0.0
 BYE POPEK, JOHN (3) FRO
 HERNANDEZ, JOSE GV 0.0 POPEK, JOHN (3) FRO F 1:26 6.0
 BYE HERNANDEZ, JOSE GV
 PORTER, JAMES BUL 0.0 POPEK, JOHN (3) FRO F :25 4.0
 BYE PORTER, JAMES BUL
 BUENO, CHRIS EB 0.0 BUENO, CHRIS EB 7 0 4.0
 BYE BUENO, CHRIS EB
 RANGEL, M SLO 0.0 POPEK, JOHN (3) FRO 5 3 5.0
 BYE RANGEL, M SLO
 HIATT, BROPHY GW 0.0 HIATT, BROPHY GW F :27 6.0
 BYE HIATT, BROPHY GW
 ESPINOZA, CHRISTIAN CC 0.0 TREVINO, MARK (6) COR A 3 0 2.0
 BYE ESPINOZA, CHRISTIAN CC
 TREVINO, MARK (6) COR A 0.0 TREVINO, MARK (6) COR A F 1:47 6.0
 BYE TREVINO, MARK (6) COR A
 ROA, JOHNATHAN (7) LEM 0.0
 BYE ROA, JOHNATHAN (7) LEM
 MATA, JORGE BAK 0.0 ROA, JOHNATHAN (7) LEM 3 2 4.0
 BYE MATA, JORGE BAK
 CONTRERAS, B LEM B 0.0
 BYE CONTRERAS, B LEM B
 KIMBALL, BRETT NIP 0.0 KIMBALL, BRETT NIP 7 0 4.0
 BYE KIMBALL, BRETT NIP
 NELSON, J CAB 0.0
 BYE NELSON, J CAB
 HERNANDEZ, H KC 0.0 HERNANDEZ, H KC 4 3 4.0
 BYE HERNANDEZ, H KC
 JACKSON, BJ BC 0.0 CRAWFORD, CARSON (2) CNT F :31 4.0
 BYE JACKSON, BJ BC
 CRAWFORD, CARSON (2) CNT 0.0 CRAWFORD, CARSON (2) CNT F 1:23 6.0
 BYE CRAWFORD, CARSON (2) CNT

OUT - JUAREZ, NARCISO (1) SAN
 F 2:20 7.0
 COX, JAMES (8) MIL 2.0
 SUNDA, A (5) CAN 13.0
 F .45
 SUNDA, A (5) CAN 7.0
 DHALIWAL, G (4) FOW 4.0
 TREVINO, MARK (6) COR A 2.0
 CRAWFORD, CARSON (2) CNT 11.0
 5 0
 CRAWFORD, CARSON (2) CNT 11.0
 CRAWFORD, CARSON (2) CNT 5 0
 POPEK, JOHN (3) FRO 5.0
 KIMBALL, BRETT NIP 4.0
 CRAWFORD, CARSON (2) CNT 5.0
 KIMBALL, BRETT NIP 4.0
 SALAZAR, BRENDE ED 3.0
 SALAZAR, BRENDE ED 3.0
 ESPINOZA, CHRIS CC 2.0
 DIAZ, CHRISTIAN COA 3.0
 KIMBALL, BRETT NIP 4.0
 KIMBALL, BRETT NIP 3.0
 HECHT, TYLER FRK 1.0
 HECHT, TYLER FRK 2.0
 KIMBALL, BRETT NIP 7.0
 TREVINO, MARK (6) COR A 3.0
 SUNDA, A (5) CAN 7.0
 POWERS-JONES, J LOM 3.0
 HERNANDEZ, H KC 4.0
 ROA, JOHNATHAN LEM 4.0
 ROA, JOHNATHAN LEM 4.0
 DHALIWAL, G (4) FOW 5.0
 HIATT, BROPHY GW 3.0
 HIATT, BROPHY GW 3.0
 COATES, 285 MB A 4.0
 COX, JAMES (8) MIL 4.0
 POPEK, JOHN (3) FRO 7.0
 COX, JAMES (8) MIL 2.0
 POPEK, JOHN (3) FRO 7.0
 HECHT, TYLER FRK 7.0
 COX, JAMES (8) MIL 2.0
 SUNDA, A (5) CAN 5.0
 ROA, JOHNATHAN LEM 4.0

CRAWFORD, CARSON (2) CNT
 DEF 1st 6.0

1st CRAWFORD, CARSON (2) Centennial
 2nd OUT - JUAREZ, NARCISO (1) Sanger
 3rd KIMBALL, BRETT nipomo
 4th POPEK, JOHN (3) Frontier
 5th SUNDA, A (5) Canyon
 6th ROA, JOHNATHAN (7) Lemoore
 7th COX, JAMES (8) Millikan
 8th HECHT, TYLER Franklin

MEZA, NICK PV
 HERNANDEZ, JOSE GV 0.0 HERNANDEZ, JOSE GV 0.0
 BYE HERNANDEZ, JOSE GV
 PORTER, JAMES BUL 0.0 PORTER, JAMES BUL 1:50 4.0
 BYE PORTER, JAMES BUL
 RANGEL, M SLO 0.0 SALAZAR, BRENDE ED 1:30 3.0
 BYE RANGEL, M SLO
 ESPINOZA, CHRIS CC 2 1 2.0 SALAZAR, BRENDE ED F :40 3.0
 BYE ESPINOZA, CHRIS CC
 DIAZ, CHRISTIAN COA 0.0 DIAZ, CHRISTIAN COA F 2:55 3.0
 BYE DIAZ, CHRISTIAN COA
 MATA, JORGE BAK 0.0 KIMBALL, BRETT NIP
 BYE MATA, JORGE BAK
 MATA, JORGE BAK 3 0 2.0 MATA, JORGE BAK 3 0 2.0
 BYE MATA, JORGE BAK
 CONTRERAS, B LEM B 0.0 PRICE, RAYMOND LBP
 BYE CONTRERAS, B LEM B
 PRICE, RAYMOND LBP 3 2 1.0
 BYE PRICE, RAYMOND LBP
 NELSON, J CAB 0.0 HECHT, TYLER FRK 6 2 1.0
 BYE NELSON, J CAB
 JACKSON, BJ BC 0.0 JACKSON, BJ BC 5 0 2.0
 BYE JACKSON, BJ BC
 JACKSON, BJ BC 0.0 HECHT, TYLER FRK 10 0 2.0
 BYE JACKSON, BJ BC
 HECHT, TYLER FRK 0.0 HECHT, TYLER FRK 4 2 2.0
 BYE HECHT, TYLER FRK
 WILEY, ZACK LG 0.0 TREVINO, MARK (6) COR A 10 0 2.0
 BYE WILEY, ZACK LG
 POWERS-JONES, J LOM 2 0 2.0 POWERS-JONES, J LOM F 2:35 3.0
 BYE POWERS-JONES, J LOM
 HERNANDEZ, H KC 0.0 HERNANDEZ, H KC F 2:35 3.0
 BYE HERNANDEZ, H KC
 GARCIA, CHRISTIAN REE 0.0 GARCIA, CHRISTIAN REE 0.0
 BYE GARCIA, CHRISTIAN REE
 GARCIA, CHRISTIAN REE 0.0 GARCIA, CHRISTIAN REE F 1:25 4.0
 BYE GARCIA, CHRISTIAN REE
 MEZA, ADONAY MON 0.0 ROA, JOHNATHAN LEM 3 2 1.0
 BYE MEZA, ADONAY MON
 ROA, JOHNATHAN LEM 0.0 ROA, JOHNATHAN LEM F 2:54 3.0
 BYE ROA, JOHNATHAN LEM
 ROA, JOHNATHAN LEM 0.0 ROA, JOHNATHAN LEM F 5:17 4.0
 BYE ROA, JOHNATHAN LEM
 WESSEL, T ATA 0.0 DHALIWAL, G (4) FOW
 BYE WESSEL, T ATA
 WESSEL, T ATA 0.0 WESSEL, T ATA F :19 4.0
 BYE WESSEL, T ATA
 GUERRA, RUBEN LB 0.0 HIATT, BROPHY GW 0.0 HIATT, BROPHY GW F 4:00 3.0
 BYE GUERRA, RUBEN LB
 HIATT, BROPHY GW 0.0 HIATT, BROPHY GW
 ORIBIO, JOSE CAR 0.0 HIATT, BROPHY GW F 4:10 3.0
 BYE ORIBIO, JOSE CAR
 COATES, 285 MB A 0.0 COATES, 285 MB A
 BYE COATES, 285 MB A
 COATES, 285 MB A 0.0 COATES, 285 MB A 15 4 2.0
 BYE COATES, 285 MB A
 BUENO, CHRIS EB 0.0 COX, JAMES (8) MIL 15 4 2.0
 BYE BUENO, CHRIS EB
 COX, JAMES (8) MIL 0.0 POPEK, JOHN (3) FRO
 BYE COX, JAMES (8) MIL

SALAZAR, BRENDE ED 3.0
 SALAZAR, BRENDE ED 3.0
 ESPINOZA, CHRIS CC 2.0
 DIAZ, CHRISTIAN COA 3.0
 KIMBALL, BRETT NIP 4.0
 KIMBALL, BRETT NIP 3.0
 HECHT, TYLER FRK 1.0
 HECHT, TYLER FRK 2.0
 KIMBALL, BRETT NIP 7.0
 TREVINO, MARK (6) COR A 3.0
 SUNDA, A (5) CAN 7.0
 POWERS-JONES, J LOM 3.0
 HERNANDEZ, H KC 4.0
 ROA, JOHNATHAN LEM 4.0
 ROA, JOHNATHAN LEM 4.0
 DHALIWAL, G (4) FOW 5.0
 HIATT, BROPHY GW 3.0
 HIATT, BROPHY GW 3.0
 COATES, 285 MB A 4.0
 COX, JAMES (8) MIL 4.0
 POPEK, JOHN (3) FRO 7.0
 COX, JAMES (8) MIL 2.0
 POPEK, JOHN (3) FRO 7.0
 HECHT, TYLER FRK 7.0
 COX, JAMES (8) MIL 2.0
 SUNDA, A (5) CAN 5.0
 ROA, JOHNATHAN LEM 4.0

KIMBALL, BRETT NIP
 7 2 2.0
 3rd